

# High Efficiency 42V/120mA Synchronous Bucks

## FEATURES

- **High Efficiency 2MHz Synchronous Operation**
  - > 90% Efficiency at 50mA, 12V<sub>IN</sub> to 5V<sub>OUT</sub>
  - Pin Selectable Forced Continuous or Burst Mode® Operation (LT8604C Only)
- **Ultralow Quiescent Current Burst Mode Operation**
  - < 2.5μA I<sub>Q</sub> Regulating 24V<sub>IN</sub> to 3.3V<sub>OUT</sub>
  - Output Ripple < 10mV<sub>P-P</sub>
- **Wide Input Voltage Range: 3.2V to 42V**
- **Fast Minimum Switch-On Time: 35ns**
- **Adjustable (All) and Synchronizable (LT8604C Only) Switching Frequency: 200kHz to 2.2MHz**
- Accurate 1V Enable Pin Threshold (All) with Adjustable Hysteresis (LT8604C Only)
- Internal Compensation
- Output Soft-Start and Tracking
- Small 12-Lead 2mm × 2mm LQFN (LT8604C) and Small 10-Lead 3mm × 2mm Side-Wettable DFN Package
- AEC-Q100 Qualified for Automotive Applications (LT8604)

## APPLICATIONS

- Industrial Sensors
- Industrial Internet of Things
- 4mA to 20mA Current Loops
- Flow Meters
- Automotive Housekeeping Supplies

## DESCRIPTION

The **LT®8604/LT8604C** is a compact, high speed synchronous monolithic step-down switching regulator that delivers up to 120mA to the output with high efficiency at a constant frequency, even up to 2.2MHz. It accepts a wide input voltage range up to 42V and consumes only 2.5μA of quiescent current when operating in Burst Mode. Top and bottom power switches are included with all necessary circuitry to minimize the need for external components.

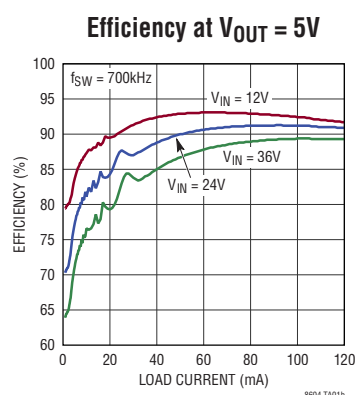
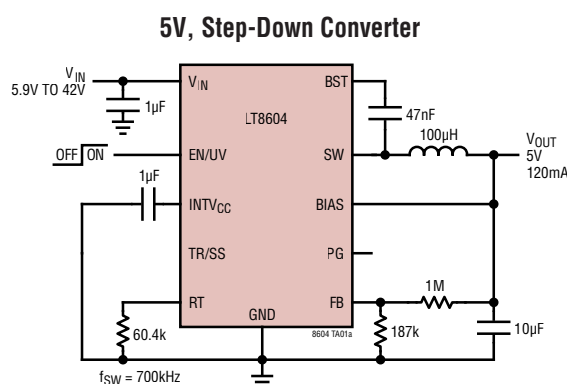
The LT8604C includes BST and INTV<sub>CC</sub> ceramic capacitors for a more compact solution while having SYNC/MODE and HYST pins. The SYNC/MODE pin selects the regulator's operation between forced continuous mode, for predictive interference in sampling systems, Burst Mode, for increased efficiency at light loads or spread spectrum for Low EMI. It also allows synchronization to an external clock to further increase signal to noise ratio in high-resolution acquisition systems.

A PG flag signals when V<sub>OUT</sub> is within ±7.5% of the programmed output voltage and when in fault conditions. Thermal shutdown provides additional protection.

	PACKAGE	SYNC/ HYST	150°C GRADE	INTERNAL CAPS
LT8604	DFN	No	Yes	No
LT8604C	LQFN	Yes	No	Yes

All registered trademarks and trademarks are the property of their respective owners.

## TYPICAL APPLICATION

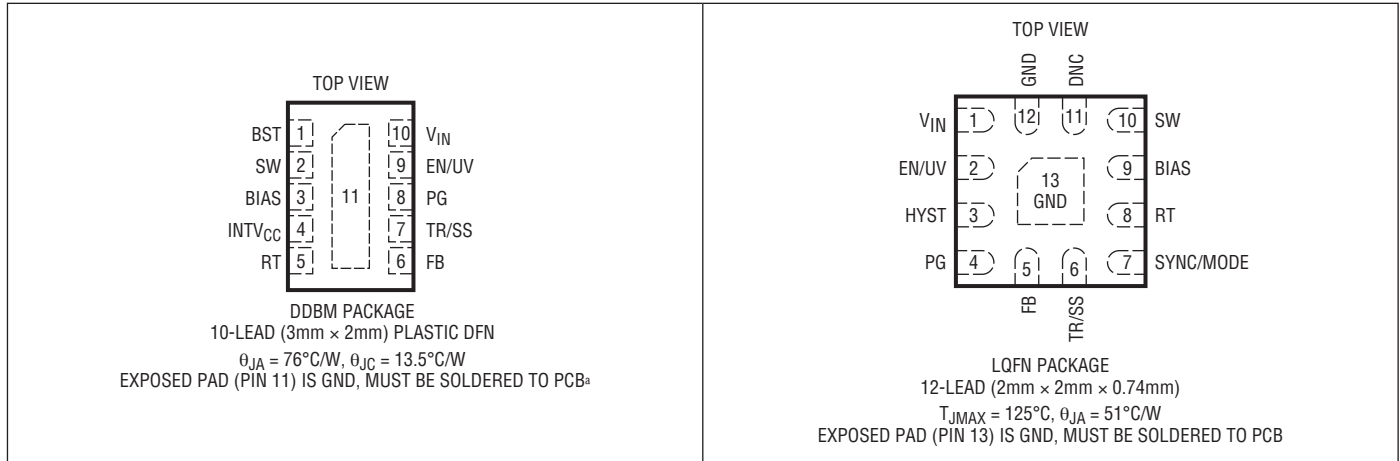


# LT8604/LT8604C

## ABSOLUTE MAXIMUM RATINGS (Note 1)

$V_{IN}$ , EN/UV Voltage .....	-0.3V to 42V	SYNC/MODE Voltage (LT8604C Only).....	-0.3V to 6V
PG Voltage .....	-0.3V to 42V	Operating Junction Temperature Range (Note 2)	
BIAS Voltage .....	-0.3V to 25V	LT8604E, LT8604I, LT8604CA .....	-40°C to 125°C
HYST Voltage (LT8604C Only) .....	-0.3V to 12V	LT8604J.....	-40°C to 150°C
FB, TR/SS Voltages.....	-0.3V to 4V	Storage Temperature Range .....	-65°C to 150°C

## PIN CONFIGURATION



## ORDER INFORMATION

### Lead Free Finish

TAPE AND REEL (MINI)	TAPE AND REEL	PART MARKING*	PACKAGE DESCRIPTION	TEMPERATURE RANGE
LT8604EDDBM#TRMPBF	LT8604EDDBM#TRPBF	LHNB	10-Lead (3mm × 2mm) Plastic Side-Wettable DFN Package	-40°C to 125°C
LT8604IDDBM#TRMPBF	LT8604IDDBM#TRPBF	LHNB	10-Lead (3mm × 2mm) Plastic Side-Wettable DFN Package	-40°C to 125°C
LT8604JDDDBM#TRMPBF	LT8604JDDDBM#TRPBF	LHNB	10-Lead (3mm × 2mm) Plastic Side-Wettable DFN Package	-40°C to 150°C
LT8604CAV#TRMPBF	LT8604CAV#TRPBF	LHJD	12-Lead (2mm × 2mm) LQFN (Laminate Package with QFN footprint)	-40°C to 125°C

### AUTOMOTIVE PRODUCTS\*\*

LT8604EDDBM#WTRMPBF	LT8604EDDBM#WTRPBF	LHNB	10-Lead (3mm × 2mm) Plastic Side-Wettable DFN Package	-40°C to 125°C
LT8604IDDBM#WTRMPBF	LT8604IDDBM#WTRPBF	LHNB	10-Lead (3mm × 2mm) Plastic Side-Wettable DFN Package	-40°C to 125°C
LT8604JDDDBM#WTRMPBF	LT8604JDDDBM#WTRPBF	LHNB	10-Lead (3mm × 2mm) Plastic Side-Wettable DFN Package	-40°C to 150°C

TRM = 500 pieces. \*Temperature grades are identified by a label on the shipping container.

Contact the factory for parts specified with wider operating temperature ranges.

Contact the factory for information on lead based finish parts.

**Tape and reel specifications.** Some packages are available in 500 unit reels through designated sales channels with #TRMPBF suffix.

\*\*Versions of this part are available with controlled manufacturing to support the quality and reliability requirements of automotive applications. These models are designated with a #W suffix. Only the automotive grade products shown are available for use in automotive applications. Contact your local Analog Devices account representative for specific product ordering information and to obtain the specific Automotive Reliability reports for these models.

For more information on lead free part marking, go to: <http://www.adi.com/leadfree/>

For more information on tape and reel specifications, go to: <http://www.adi.com/tapeandreeel/>

Rev. B

**ELECTRICAL CHARACTERISTICS** The ● denotes the specifications which apply over the full operating temperature range, otherwise specifications are at T<sub>A</sub> = 25°C.

PARAMETER	CONDITIONS		MIN	TYP	MAX	UNITS
Minimum Input Voltage		●		2.9	3.2	V
V <sub>IN</sub> Quiescent Current	V <sub>EN/UV</sub> = 0V	●		1	4	μA
	V <sub>EN/UV</sub> = 2V, Not Switching	●		1.7	12	μA
V <sub>IN</sub> Current in Regulation	V <sub>IN</sub> = 12V, V <sub>OUT</sub> = 3.3V, I <sub>LOAD</sub> = 100μA			56		μA
	V <sub>IN</sub> = 12V, V <sub>OUT</sub> = 3.3V, I <sub>LOAD</sub> = 1mA			400		μA
Feedback Reference Voltage		●	0.762	0.778	0.798	V
FB Voltage Line Regulation	V <sub>IN</sub> = 4V to 42V	●		±0.002	±0.04	%/V
FB Pin Input Current	V <sub>FB</sub> = 0.8V	●			±20	nA
BIAS Pin Current Consumption	V <sub>BIAS</sub> = 3.3V, I <sub>LOAD</sub> = 30mA, 700kHz			0.9		mA
Minimum On-Time		●		35	65	ns
Minimum Off-Time				90	120	ns
Oscillator Frequency	R <sub>T</sub> = 221k	●	140	200	260	kHz
	R <sub>T</sub> = 18.2k	●	1.85	2.00	2.15	MHz
Top Power NMOS On-Resistance				3.2		Ω
Top Power NMOS Current Limit		●	185	230	275	mA
Bottom Power NMOS On-Resistance				1.2		Ω
SW Leakage Current	V <sub>IN</sub> = 24V	●			15	μA
EN/UV Pin Threshold	Pin Voltage Rising	●	0.98	1.04	1.11	V V
EN/UV Pin Hysteresis				40		mV
EN/UV Pin Current	V <sub>EN/UV</sub> = 2V				±20	nA
HYST Pull-Down Resistance	V <sub>HYST</sub> = 0.1V, V <sub>EN/UV</sub> < 0.9V, LT8604C Only			280	500	Ω
HYST Pin Leakage Current	V <sub>HYST</sub> = 1V, V <sub>EN/UV</sub> > 1.2V, LT8604C Only				±200	nA
PG Upper Threshold Offset from V <sub>FB/OUT</sub>	V <sub>FB</sub> Rising, LT8604	●	5	7.5	10	%
	V <sub>FB</sub> Rising, LT8604C	●	4.5	7.5	10	%
PG Lower Threshold Offset from V <sub>FB/OUT</sub>	V <sub>FB</sub> Falling	●	-10	-7.5	-5	%
PG Hysteresis				0.5		%
PG Leakage	V <sub>PG</sub> = 42V	●			±200	nA
PG Pull-Down Resistance	V <sub>PG</sub> = 0.1V			550	1200	Ω
SYNC/MODE Threshold Voltage	LT8604C Only		0.4	0.9	1.5	V
TR/SS Source Current	V <sub>TR/SS</sub> = 0.1V, LT8604	●	1	2	3.5	μA
	V <sub>TR/SS</sub> = 0.1V, LT8604C	●	1	2	4	μA
TR/SS Pull-Down Resistance	Fault Condition, V <sub>TR/SS</sub> = 0.1V			300	900	Ω
V <sub>IN</sub> to Disable Forced Continuous Mode	V <sub>IN</sub> Rising, LT8604C Only	●	30	32	34	V

**Note 1:** Stresses beyond those listed under Absolute Maximum Ratings may cause permanent damage to the device. Exposure to any Absolute Maximum Rating condition for extended periods may affect device reliability and lifetime.

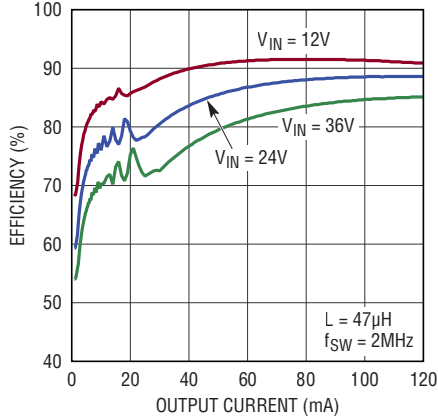
**Note 2:** The LT8604E is guaranteed to meet performance specifications from 0°C to 125°C junction temperature. Specifications over the -40°C to 125°C operating junction temperature range are assured by design, characterization and correlation with statistical process controls. The LT8604I is guaranteed over the full -40°C to 125°C operating junction temperature range. The LT8604J is guaranteed over the full -40°C to 150°C operating junction temperature range. The LT8604CA is specified

over the -40°C to 125°C operating junction temperature range. High junction temperatures degrade operating lifetimes. Operating lifetime is derated at junction temperatures greater than 125°C. Note the maximum ambient temperature consistent with these specifications is determined by specific operating conditions in conjunction with board layout, the rated package thermal impedance and other environmental factors.

**Note 3:** This IC includes overtemperature protection that is intended to protect the device during overload conditions. Junction temperature will exceed 150°C when overtemperature protection is active. Continuous operation above the specified maximum operating junction temperature will reduce lifetime

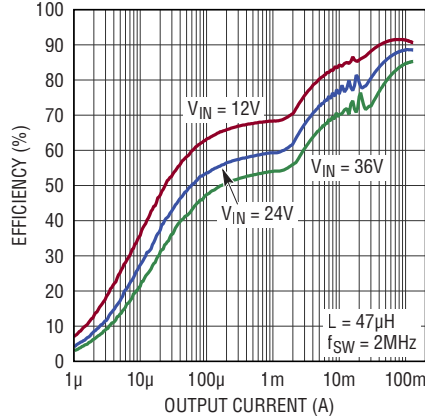
## TYPICAL PERFORMANCE CHARACTERISTICS

**LT8604: Burst Mode Efficiency (5V Output)**



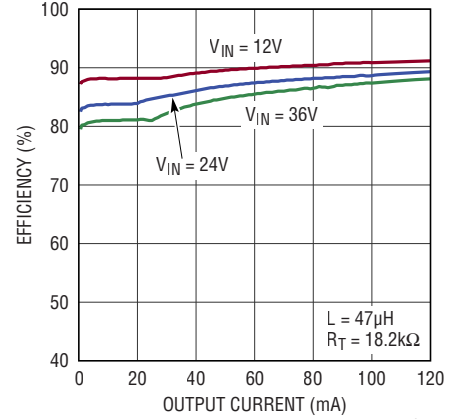
8604 G01

**LT8604: Burst Mode Efficiency (5V Output)**



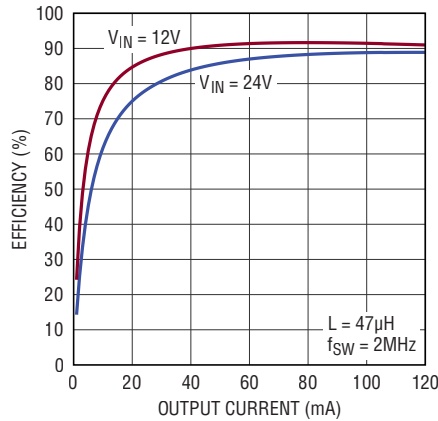
8604 G02

**LT8604C: Burst Mode Efficiency (5V Output)**



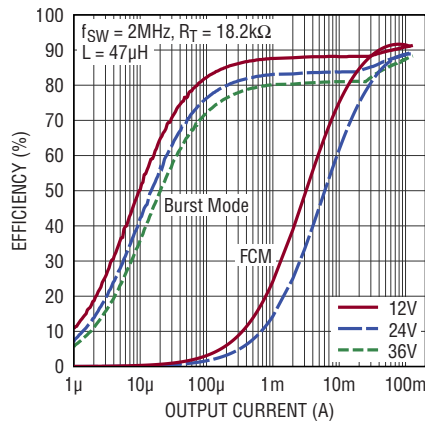
8604 G32

**LT8604C: Forced Continuous Mode Efficiency (5V Output)**



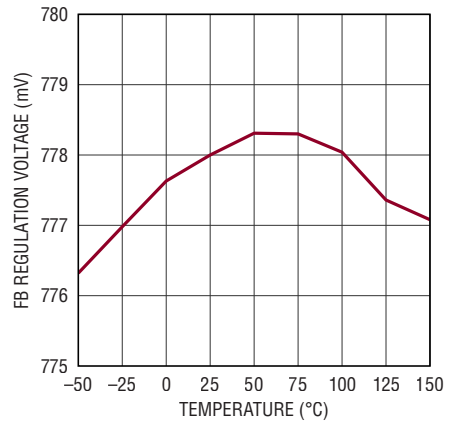
8604 G33

**LT8604C: Efficiency (5V Output)**



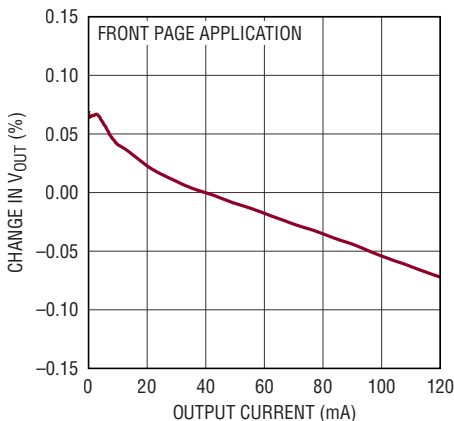
8604 G34

**FB Voltage**



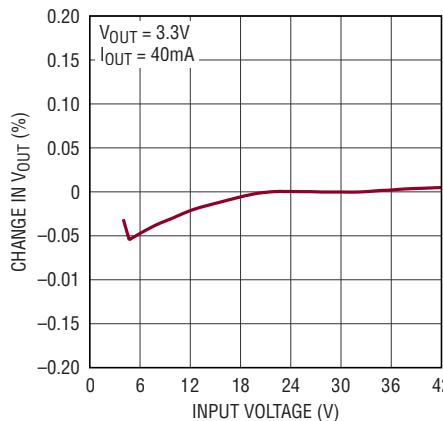
8604 G05

**Load Regulation**



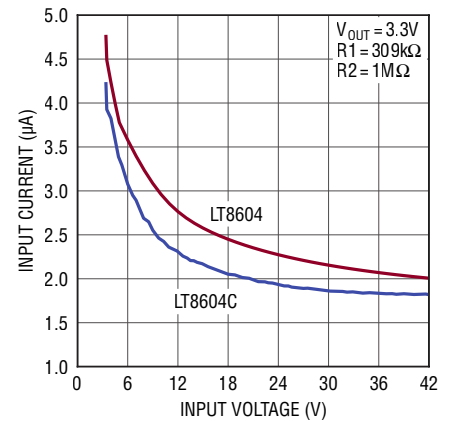
8604 G06

**Line Regulation**



8604 G07

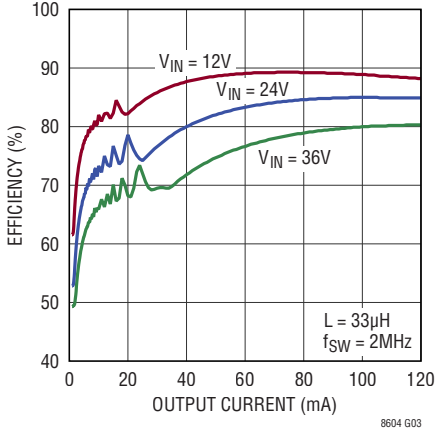
**No-Load Supply Current in Burst Mode (3.3V Output)**



8604 G08

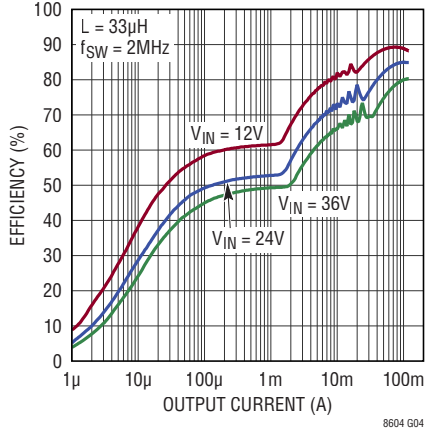
# TYPICAL PERFORMANCE CHARACTERISTICS

**LT8604: Burst Mode Efficiency (3.3V Output)**



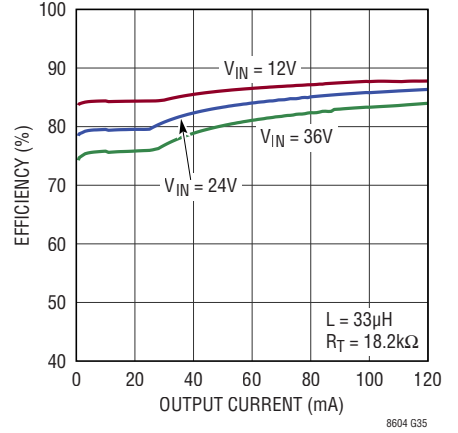
8604 G03

**LT8604: Burst Mode Efficiency (3.3V Output)**



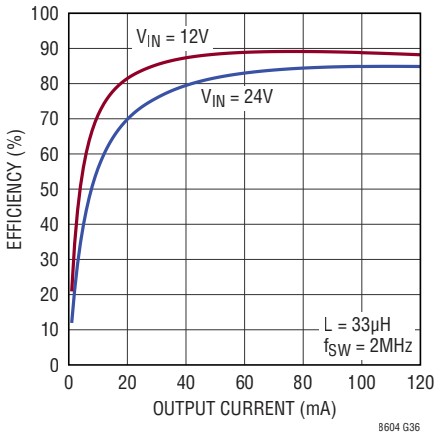
8604 G04

**LT8604C: Burst Mode Efficiency (3.3V Output)**



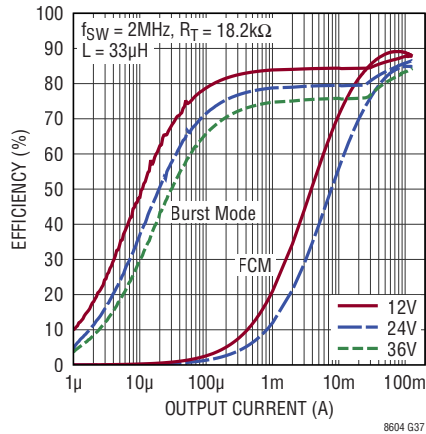
8604 G35

**LT8604C: Forced Continuous Mode Efficiency (3.3V Output)**



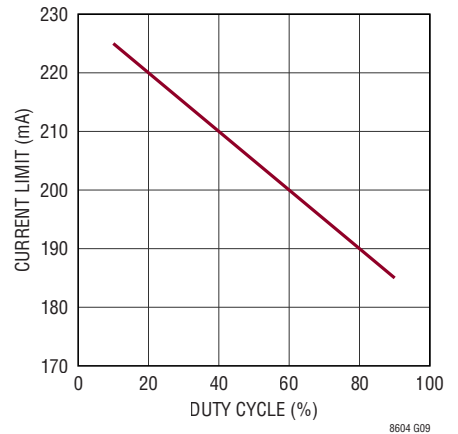
8604 G36

**LT8604C: Efficiency (3.3V Output)**



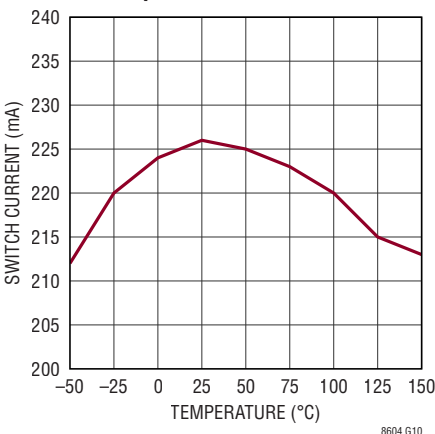
8604 G37

**Top FET Current Limit vs Duty Cycle**



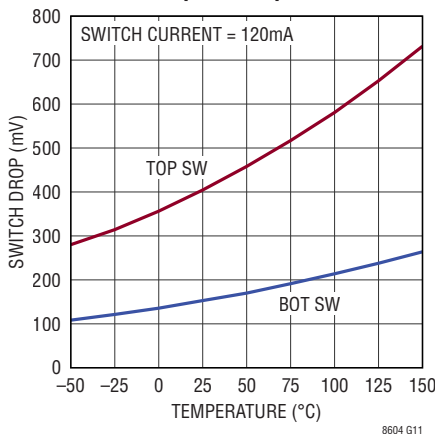
8604 G09

**Top FET Current Limit vs Temperature**



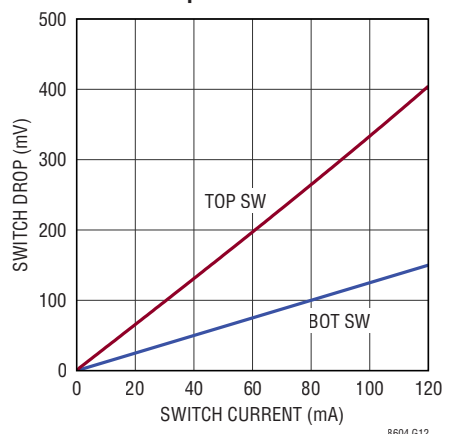
8604 G10

**Switch Drop vs Temperature**



8604 G11

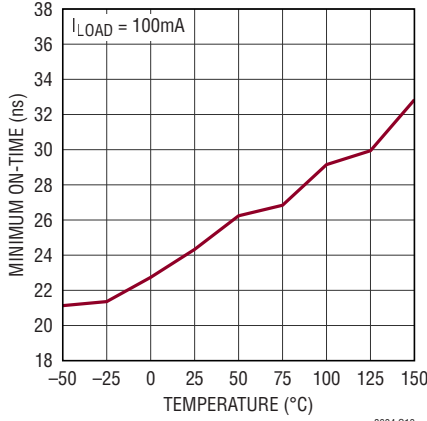
**Switch Drop vs Switch Current**



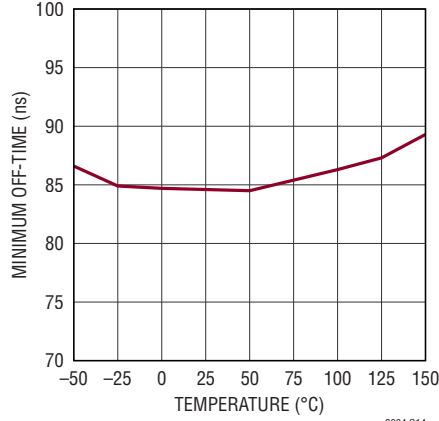
8604 G12

## TYPICAL PERFORMANCE CHARACTERISTICS

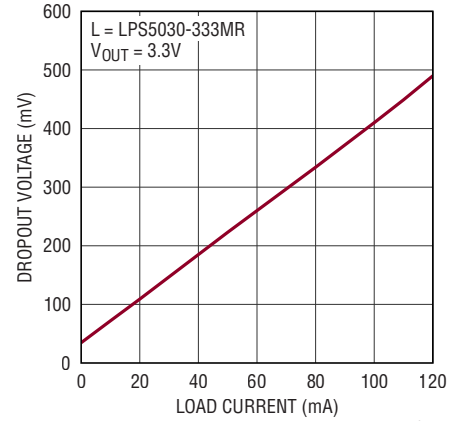
**Minimum On-Time vs Temperature**



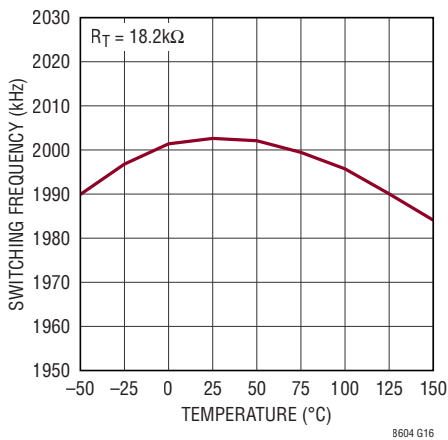
**Minimum Off-Time vs Temperature**



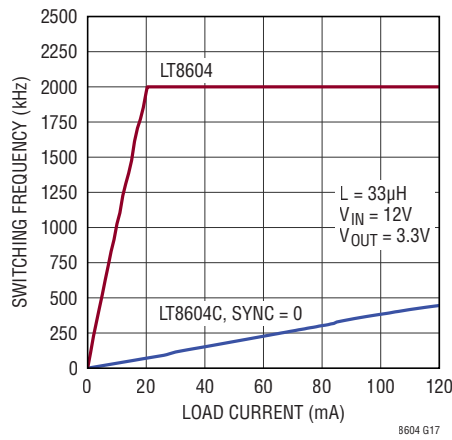
**Dropout Voltage vs Load Current**



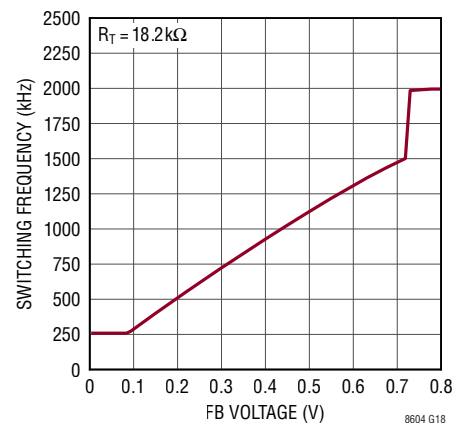
**Switching Frequency vs Temperature**



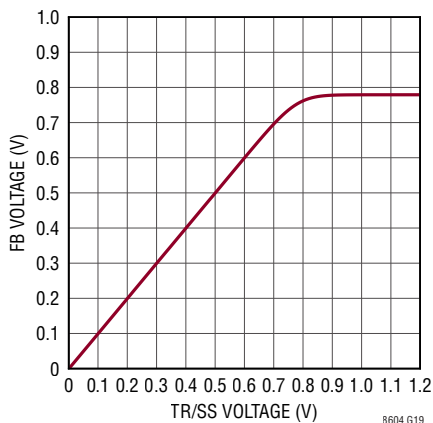
**Burst Frequency vs Load Current**



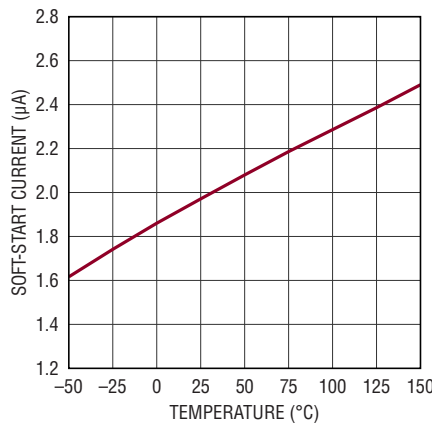
**Frequency Foldback**



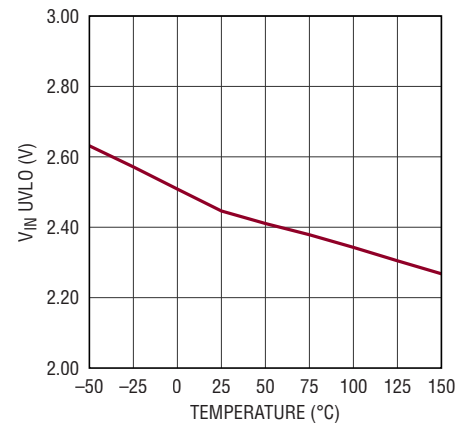
**Soft-Start Tracking**



**Soft-Start Current vs Temperature**

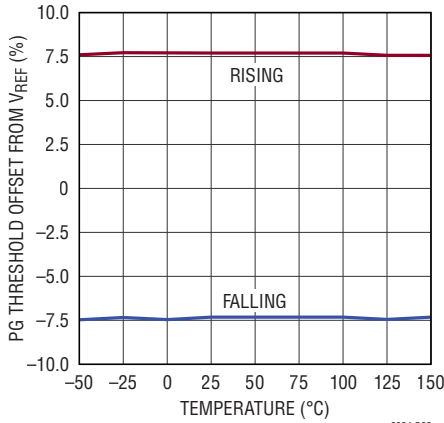


**V<sub>IN</sub> UVLO**

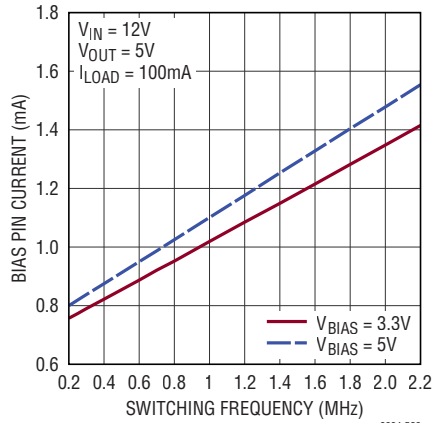


# TYPICAL PERFORMANCE CHARACTERISTICS

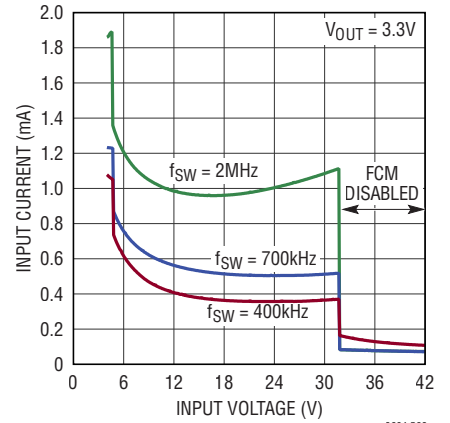
**PG Thresholds**



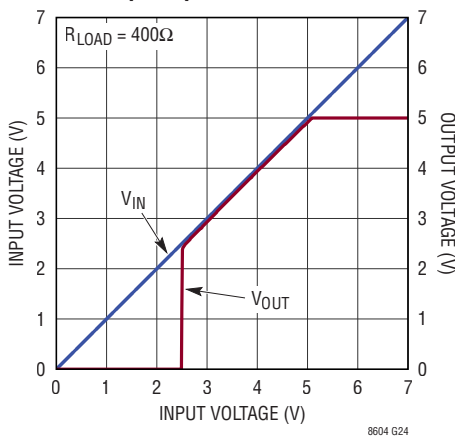
**Bias Pin Current**



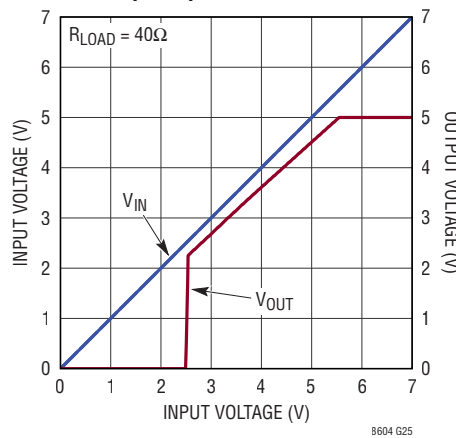
**LT8604C: No Load Supply Current in Forced Continuous Mode**



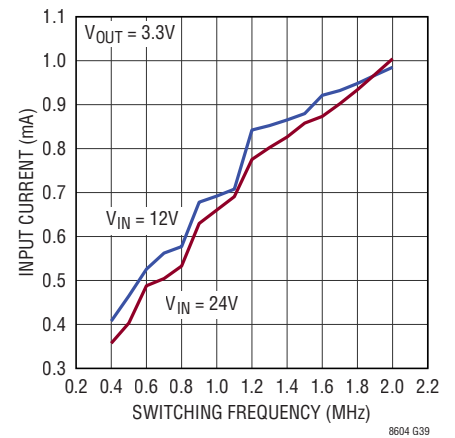
**Start-Up Dropout**



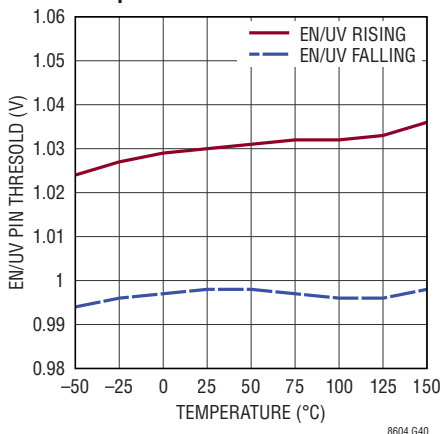
**Start-Up Dropout**



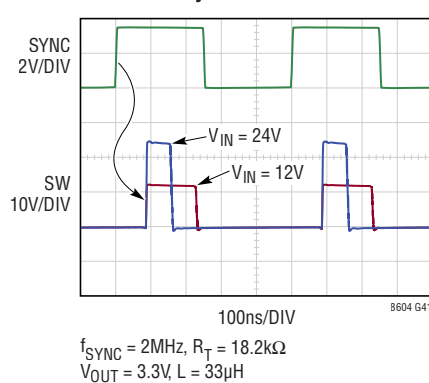
**LT8604C: No Load Supply Current in Forced Continuous Mode**



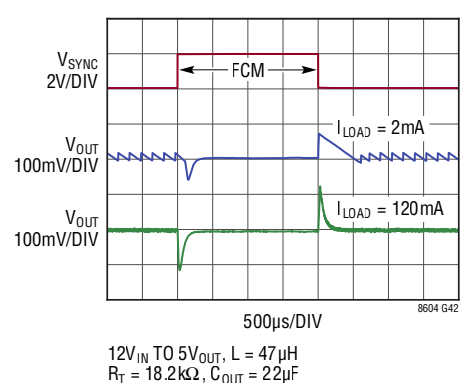
**EN/UV Pin Thresholds vs Temperature**



**LT8604C: Synchronization**

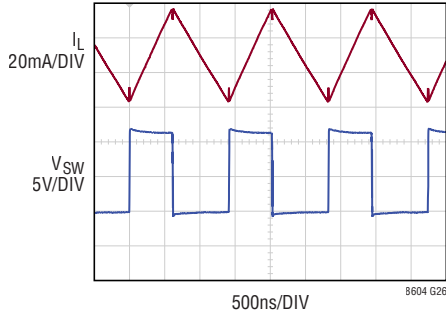


**LT8604C: Transition between Burst Mode and Forced Continuous Mode**



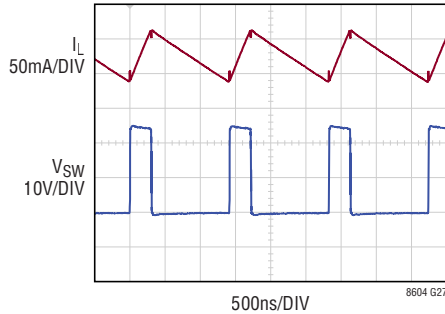
## TYPICAL PERFORMANCE CHARACTERISTICS

**LT8604: Switching Waveforms**



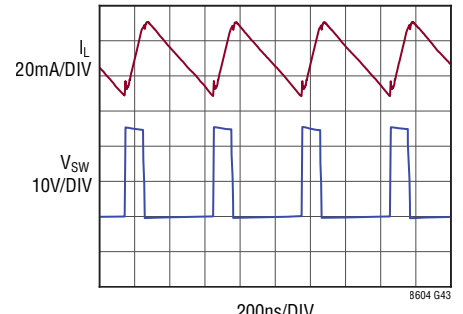
FRONT PAGE APPLICATION  
12V<sub>IN</sub> TO 5V<sub>OUT</sub> AT 60mA

**LT8604: Switching Waveforms**



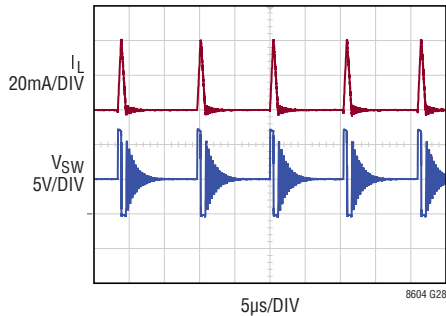
FRONT PAGE APPLICATION  
24V<sub>IN</sub> TO 5V<sub>OUT</sub> AT 60mA

**LT8604C: Forced Continuous Mode Switching Waveforms**



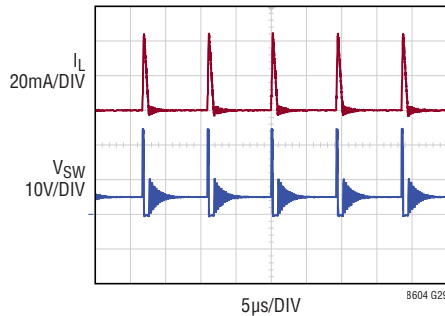
24V<sub>IN</sub> TO 5V<sub>OUT</sub> AT 0mA  
R<sub>T</sub> = 18.2kΩ, L = 47μH

**LT8604: Switching Waveforms**



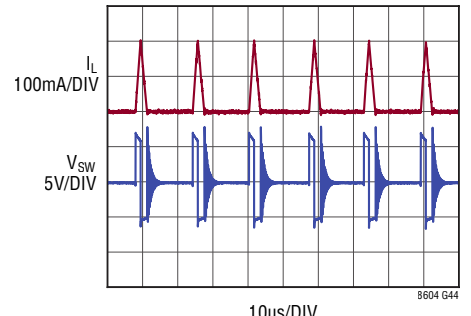
FRONT PAGE APPLICATION  
12V<sub>IN</sub> TO 5V<sub>OUT</sub> AT 2mA

**LT8604: Switching Waveforms**



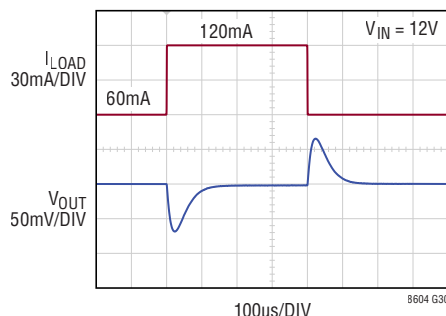
FRONT PAGE APPLICATION  
24V<sub>IN</sub> TO 5V<sub>OUT</sub> AT 2mA

**LT8604C: Burst Mode Switching Waveforms**



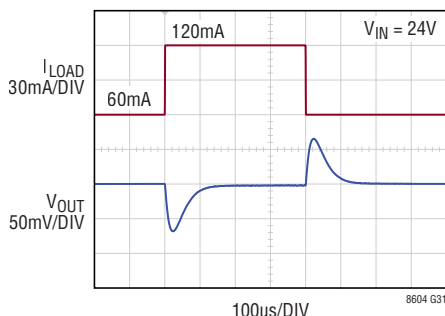
12V<sub>IN</sub> TO 5V<sub>OUT</sub> AT 20mA  
R<sub>T</sub> = 18.2kΩ, L = 47μH  
SYNC = 0V

**Transient Response**



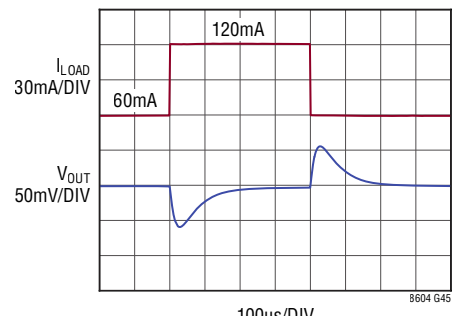
FRONT PAGE APPLICATION

**Transient Response**



FRONT PAGE APPLICATION

**LT8604C: Transient Response**



12V<sub>IN</sub> TO 5V<sub>OUT</sub>, LT8604C, SYNC FLOATING  
R<sub>T</sub> = 18.2kΩ, L = 47μH, C<sub>OUT</sub> = 22μF



## PIN FUNCTIONS (DFN)

**BST (Pin 1):** This pin is used to provide a drive voltage higher than the input voltage, to the topside power switch. Place a 47nF boost capacitor as close as possible to the IC. Do not put resistance in series with this pin.

**SW (Pin 2):** The SW pin is the output of the internal power switches. Connect this pin to the inductor. This node should be kept small on the PCB for good performance.

**BIAS (Pin 3):** The internal regulator will draw current from BIAS instead of  $V_{IN}$  when BIAS is tied to a voltage higher than 3.2V. For output voltages of 3.3V to 25V this pin should be tied to  $V_{OUT}$ . If this pin is tied to a supply other than  $V_{OUT}$ , use a 1 $\mu$ F local bypass capacitor on this pin. If no supply is available, tie this pin to GND.

**INTV<sub>CC</sub> (Pin 4):** Internal 3.4V Regulator Bypass Pin. The internal power drivers and control circuits are powered from this voltage. INTV<sub>CC</sub> maximum output current is 2mA. Do not load the INTV<sub>CC</sub> pin with external circuitry. INTV<sub>CC</sub> current will be supplied from BIAS if BIAS > 3.2V, otherwise current will be drawn from  $V_{IN}$ . Voltage on INTV<sub>CC</sub> will vary between 2.8V and 3.4V when  $V_{BIAS}$  is between 3.0V and 3.6V. Decouple this pin to power ground with a low ESR ceramic capacitor of at least 1 $\mu$ F placed close to the IC.

**RT (Pin 5):** Tie a resistor between RT and ground to set the switching frequency.

**FB (Pin 6):** The LT8604 regulates the FB pin to 0.778V. Connect the feedback resistor divider tap to this pin.

**TR/SS (Pin 7):** Output Tracking and Soft-Start Pin. This pin allows user control of output voltage ramp rate during

start-up. A TR/SS voltage below 0.778V forces the LT8604 to regulate the FB pin to equal the TR/SS pin voltage. When TR/SS is above 0.778V, the tracking function is disabled and the internal reference resumes control of the error amplifier. An internal 2 $\mu$ A pull-up current on this pin allows a capacitor to program output voltage slew rate. This pin is pulled to ground with a 300 $\Omega$  MOSFET during shutdown and fault conditions; use a series resistor if driving from a low impedance output.

**PG (Pin 8):** The PG pin is the open-drain output of an internal comparator. PG remains low until the FB pin is within  $\pm 7.5\%$  of the final regulation voltage, and there are no fault conditions. PG is valid when  $V_{IN}$  is above 3.2V, regardless of EN/UV pin state.

**EN/UV (Pin 9):** The LT8604 is shut down when this pin is low and active when high. The hysteretic threshold voltage is 1.04V rising and 1.00V falling. Tie to  $V_{IN}$  if the shutdown feature is not used. An external resistor divider from  $V_{IN}$  can be used to program a  $V_{IN}$  threshold below which the LT8604 will shut down.

**$V_{IN}$  (Pin 10):** The  $V_{IN}$  pin supplies current to the LT8604 internal circuitry and to the internal top side power switch. This pin must be locally bypassed. Be sure to place the positive terminal of the input capacitor as close as possible to the  $V_{IN}$  pin, and the negative capacitor terminal as close as possible to the GND pin.

**GND (Exposed Pad Pin 11):** Ground. The exposed pad must be connected to the negative terminal of the input capacitor and soldered to the PCB in order to lower the thermal resistance.

## PIN FUNCTIONS (LQFN)

**V<sub>IN</sub> (Pin 1):** The V<sub>IN</sub> pin supplies current to the LT8604C internal circuitry and the internal top side power switch. This pin must be locally bypassed. Place the positive terminal of the input capacitor as close as possible to the V<sub>IN</sub> pin, and the negative capacitor terminal as close as possible to the GND pin.

**EN/UV (Pin 2):** The LT8604C is shut down when this pin is low and active when high. The hysteretic threshold voltage is 1.04V rising and 1.00V falling. Tie to V<sub>IN</sub> if the shutdown feature is not used. An external resistor divider from V<sub>IN</sub> can program a V<sub>IN</sub> threshold below which the LT8604C will shut down.

**HYST (Pin 3):** EN/UV Hysteresis Open-Drain Logic Output. This pin is pulled to ground when EN/UV (Pin 2) is below 1V. This pin can be used to adjust the EN/UV pin hysteresis. See Applications Information.

**PG (Pin 4):** The PG pin is the open-drain output of an internal comparator. PG remains low until the FB pin is within  $\pm 7.5\%$  of the final regulation voltage, and there are no fault conditions. PG is valid when V<sub>IN</sub> is above 3.2V, regardless of EN/UV pin state.

**FB (Pin 5):** The LT8604C regulates the FB pin to 0.778V. Connect the feedback resistor divider tap to this pin.

**TR/SS (Pin 6):** Output Tracking and Soft-Start Pin. This pin allows user control of output voltage ramp rate during start-up. A TR/SS voltage below 0.778V forces the LT8604C to regulate the FB pin to equal the TR/SS pin voltage. When TR/SS is above 0.778V, the tracking function is disabled, and the internal reference resumes control of the error amplifier. An internal 2 $\mu$ A pull-up current on this pin allows a capacitor to program output voltage slew rate. This pin is pulled to ground with a 300 $\Omega$

MOSFET during shutdown and fault conditions; use a series resistor if driving from a low impedance output.

**SYNC/MODE (Pin 7):** This pin programs four different operating modes: 1) Burst Mode operation. Tie this pin to ground for Burst Mode operation at low output loads—this will result in ultralow quiescent current. 2) Forced Continuous mode (FCM). This mode offers fast transient response and full frequency operation over a wide load range. Float this pin for FCM. When floating, the pin leakage current should be  $< 1\mu\text{A}$ . 3) Spread Spectrum mode. Tie this pin high to a voltage  $> 3\text{V}$  for forced continuous mode with spread-spectrum modulation. 4) Synchronization mode. Drive this pin with a clock source to synchronize to an external frequency. During synchronization, the part will operate in forced continuous mode.

**RT (Pin 8):** Tie a resistor between RT and ground to set the switching frequency.

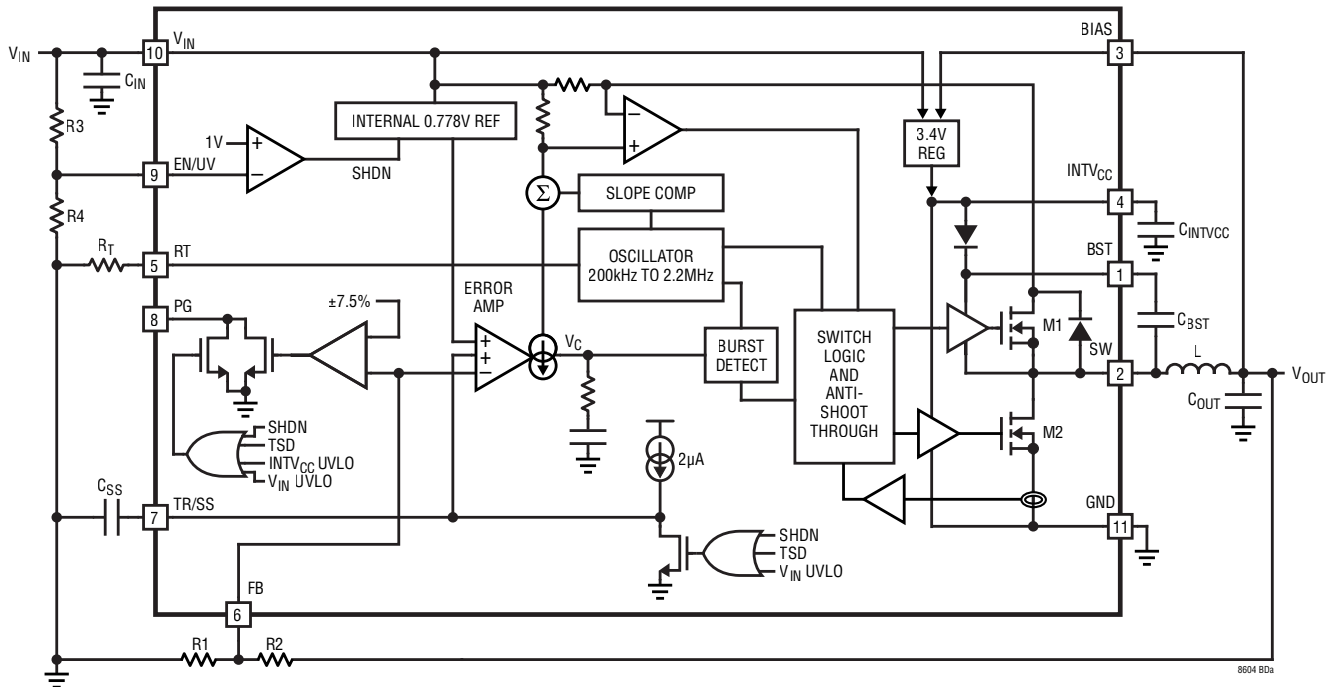
**BIAS (Pin 9):** The internal regulator will draw current from BIAS instead of V<sub>IN</sub> when BIAS is tied to a voltage higher than 3.2V. For output voltages of 3.3V to 25V, this pin should be tied to V<sub>OUT</sub>. If this pin is tied to a supply other than V<sub>OUT</sub>, use a 1 $\mu$ F local bypass capacitor on this pin. If no supply is available, tie to GND.

**SW (Pin 10):** The SW pin is the output of the internal power switches. Connect this pin to the inductor. This node should be kept small on the PCB for good performance.

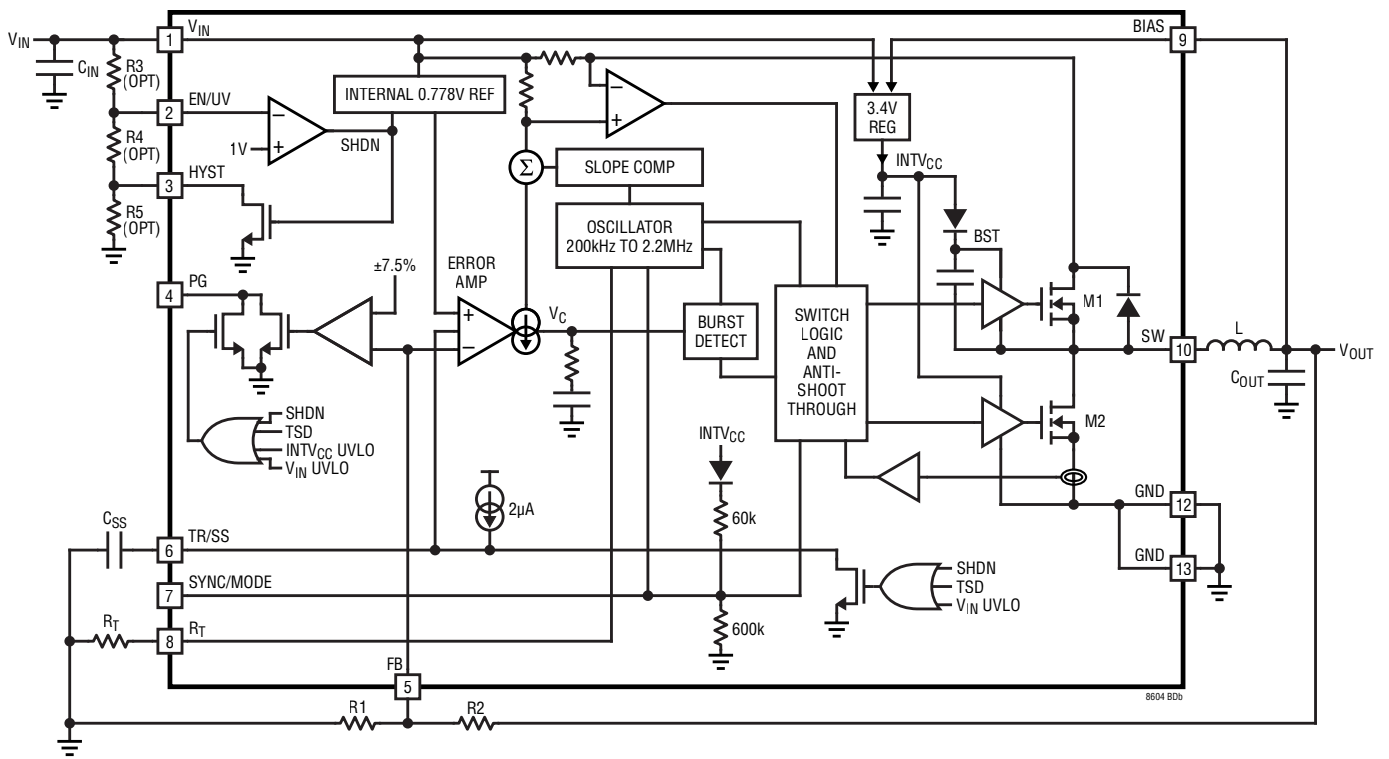
**DNC (Pin 11):** Do not connect pin. This pin should be left floating.

**GND (Pin 12, Exposed Pad Pin 13):** Ground. The exposed pad must be connected to the input capacitor's negative terminal and soldered to the PCB to lower the thermal resistance.

**BLOCK DIAGRAM**



LT8604



LT8604C

## OPERATION

The LT8604/LT8604C is a monolithic constant frequency current mode step-down DC/DC converter. Operation is best understood by referring to the Block Diagram section. An internal oscillator turns on the integrated top power switch at the beginning of each clock cycle. Current in the inductor then increases until the top switch current comparator trips and turns off the top power switch. The peak inductor current at which the top switch turns off is controlled by the voltage on the internal  $V_C$  node. The error amplifier servos the  $V_C$  node by comparing the voltage on the FB pin with an internal reference. When the load current increases it causes a reduction in the feedback voltage relative to the reference leading the error amplifier to raise the  $V_C$  voltage until the average inductor current matches the new load current. When the top power switch turns off, the synchronous power switch turns on until the next clock cycle begins or the inductor current falls to zero. If overload conditions result in excess current flowing through the bottom switch, the next clock cycle will be delayed until switch current returns to a safe level.

To optimize efficiency, the LT8604 enters Burst Mode operation during light load situations. Between bursts, all circuitry associated with controlling the output switch is shut down, reducing the input supply current to 1.7 $\mu$ A. In a typical application with a 24V input, 2.5 $\mu$ A will be consumed from the input supply when regulating with no load. The LT8604 does not have a SYNC/MODE pin and always operates in Burst Mode. The SYNC/MODE pin (LT8604C only) is tied low to use Burst Mode operation with a fixed burst current limit of 215mA for improved efficiency at very light loads and can be floated to use forced continuous mode (FCM). If a clock is applied to the SYNC/MODE pin, the part will synchronize to an external clock frequency and operate in FCM. The SYNC/MODE pin may be tied high for spread spectrum modulation mode, and the LT8604C will operate like FCM but vary the clock frequency to reduce EMI.

The LT8604C can operate in forced continuous mode (FCM) for fast transient response and full frequency operation over a wide load range. When in FCM, the oscillator operates continuously, and positive SW transitions are aligned to the clock. Negative inductor current is allowed. The LT8604C can sink current from the output and return it to the input in this mode, improving load step transient response.

To improve efficiency across all loads, supply current to internal circuitry is drawn from the BIAS pin when biased at 3.2V or above. Else, the internal circuitry will draw current from  $V_{IN}$ . The BIAS pin should be connected to  $V_{OUT}$  if the output is programmed to a voltage between 3.3V and 25V.

Comparators monitoring the FB pin voltage will pull the PG pin low if the output voltage varies more than  $\pm 7.5\%$  (typical) from the set point or if a fault condition is present.

In the LT8604/LT8604C, the oscillator reduces its operating frequency when the voltage at the FB pin is low. This frequency foldback helps to control the inductor current when the output voltage is lower than the programmed value, which occurs during start-up or overcurrent conditions. When a clock is applied to the SYNC/MODE pin (LT8604C only), the SYNC/MODE pin is floated or held DC high, the frequency foldback is disabled, and the switching frequency will slow down only during overcurrent conditions.

If the EN/UV pin is low, the LT8604/LT8604C is shut down and draws 1 $\mu$ A from the input. When the EN/UV pin is above 1.04V, the switching regulator becomes active.

The HYST pin (LT8604C only) provides an added degree of flexibility for the EN/UV pin operation. This open-drain output is pulled to ground whenever the EN/UV comparator is not tripped, signaling that the LT8604C is not in normal operation. In applications where the EN/UV pin is used to monitor the  $V_{IN}$  voltage through an external resistive divider, the HYST pin can be used to increase the effective EN/UV comparator hysteresis.

## APPLICATIONS INFORMATION

### Achieving Ultralow Quiescent Current

To enhance efficiency at light loads, the LT8604/LT8604C enters into low ripple Burst Mode operation, which keeps the output capacitor charged to the desired output voltage while minimizing the input quiescent current and minimizing output voltage ripple. This is the default operation of LT8604. For the LT8604C, the SYNC/MODE pin must be tied to ground. In Burst Mode operation, the LT8604/LT8604C delivers single small pulses of current to the output capacitor followed by sleep periods where the output power is supplied by the output capacitor. While in sleep mode the LT8604/LT8604C consumes 1.7 $\mu$ A.

As the output load decreases, the frequency of single current pulses decreases (see Figure 1) and the percentage of time the LT8604/LT8604C is in sleep mode increases, resulting in much higher light load efficiency than for typical converters. By maximizing the time between pulses, the converter quiescent current approaches 2.5 $\mu$ A for a typical application when there is no output load. Therefore, to optimize the quiescent current performance at light loads, the current in the feedback resistor divider must be minimized as it appears to the output as load current.

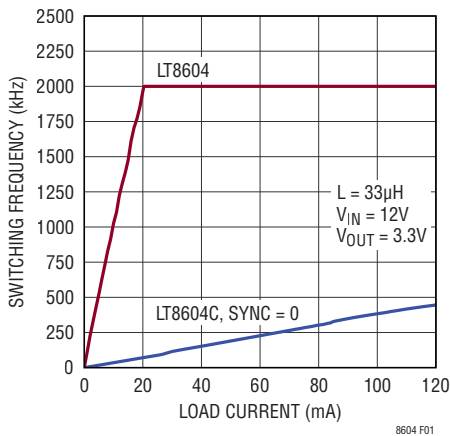
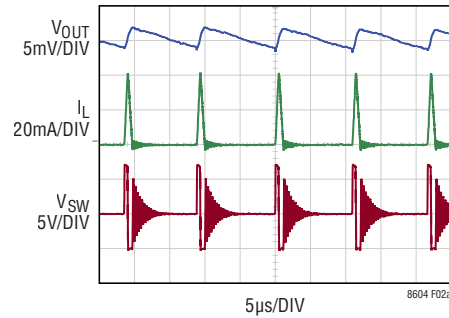
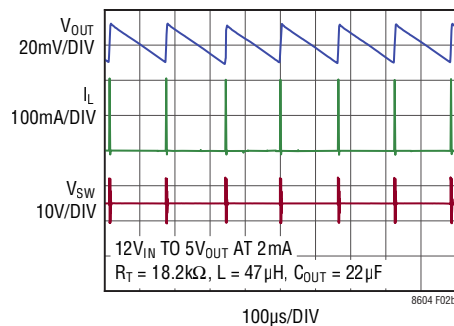


Figure 1. SW Burst Mode Frequency vs Load

While in Burst Mode operation, the current limit of the top switch is approximately 40mA in the LT8604 and 215mA in the LT8604C, resulting in output voltage ripple shown in Figure 2a and Figure 2b. As the load ramps upward from zero the switching frequency will increase but only up to the switching frequency programmed by the resistor at the RT pin as shown in Figure 1. The output load



(a) LT8604



(b) LT8604C

Figure 2. Burst Mode Operation

at which the LT8604/LT8604C reaches the programmed frequency varies based on input voltage, output voltage, and inductor choice.

Since the higher Burst Mode current limit of the LT8604C leads to a higher inductor current ripple, its switching frequency is reduced accordingly and will usually never reach the frequency programmed by the resistor at the RT pin over the entire load range. Use forced continuous mode (see next section) for full frequency operation. The LT8604C applies slope compensation even in Burst Mode to ensure stable operation at higher load currents.

### Forced Continuous Mode (LT8604C Only)

The LT8604C can operate in forced continuous mode (FCM) for fast transient response and full frequency operation over a wide load range. When in FCM, the oscillator operates continuously, and positive SW transitions are aligned to the clock. Negative inductor current is allowed at light loads or under large transient conditions. The LT8604C can sink current from the output and return it to the input in this mode, improving load step transient



## APPLICATIONS INFORMATION

response. At light loads, FCM operation is less efficient than Burst Mode operation or pulse-skipping mode. Still, it may be desirable in applications where it is necessary to keep switching harmonics out of the signal band. FCM must be used if the output is required to sink current. To enable FCM (LT8604C only), float the SYNC/MODE pin. Leakage current on this pin should be  $<1\mu\text{A}$ . See the Block Diagram for internal pull-up and pull-down resistance.

FCM is disabled if the voltage on the  $V_{\text{IN}}$  pin is above 32V or if the FB pin's voltage is above the internal reference voltage by more than 7.5%. FCM is also disabled during soft-start until the soft-start capacitor is fully charged. When FCM is disabled in these ways, negative inductor current is not allowed, and the LT8604C operates in pulse-skipping mode.

For robust operation over a wide  $V_{\text{IN}}$  and  $V_{\text{OUT}}$  range, use an inductor value larger than  $L_{\text{MIN}}$ :

$$L_{\text{MIN}} = \frac{V_{\text{OUT}}}{0.07 \cdot f_{\text{SW}}} \left( 1 - \frac{V_{\text{OUT}}}{40} \right)$$

### Spread Spectrum Mode (LT8604C only)

The LT8604C features spread-spectrum operation to further reduce EMI/EMC emissions. To enable spread-spectrum operation, tie the SYNC/MODE pin to a voltage  $>3\text{V}$ . In this mode, triangular frequency modulation is used to vary the switching frequency between 100% and approximately 120% of the value programmed by RT. The modulation frequency is approximately 3kHz. For example, when the LT8604C is programmed to 2MHz, the frequency will vary from 2MHz to 2.4MHz at a 3kHz rate. When spread-spectrum operation is selected, Burst Mode operation is disabled, and the part will run in forced continuous mode.

### Synchronization (LT8604C only)

To synchronize the LT8604C oscillator to an external frequency, connect a square wave (with 20% to 80% duty cycle) to the SYNC/MODE pin. The square wave amplitude should have valleys below 0.4V and peaks above 1.5V (up to 6V).

The LT8604C will not enter Burst Mode operation at low output loads while synchronized to an external clock, but

instead will run in forced continuous mode to maintain regulation. The LT8604C may be synchronized over a 200kHz to 2.2MHz range. The RT resistor should be chosen to set the LT8604C switching frequency equal to or below the lowest synchronization input. For example, if the synchronization signal will be 500kHz and higher, RT should be selected for 500kHz. The slope compensation is set by the RT value, while the minimum slope compensation required to avoid subharmonic oscillations is established by the inductor size, input voltage, and output voltage. Since the synchronization frequency will not change the inductor current waveform slopes, if the inductor is large enough to avoid subharmonic oscillations at the frequency set by RT, then the slope compensation will be sufficient for all synchronization frequencies.

### Switching between Burst Mode and FCM in LT8604C

The LT8604C achieves very high efficiency at very light loads when operating in Burst Mode due to its fixed top switch current limit of 215mA in this mode. The internal  $V_{\text{C}}$  node does not control peak inductor current but instead the period between current pulses. Thus, it does not need to vary much to keep the output in regulation over the entire load current range. In Forced Continuous Mode, on the other hand, the  $V_{\text{C}}$  node controls the peak inductor current and thus varies widely with load current. For a given load current, the  $V_{\text{C}}$  node voltage required to keep the output in regulation may differ between Burst Mode and FCM. The error amplifier adjusts the  $V_{\text{C}}$  node to the new required level when switching between these modes of operation. During this transition, the output may experience a load current dependent transient with worst-case amplitude happening at full load. Applications that transition between Burst Mode and FCM require a larger output capacitor to keep output voltage transients below acceptable limits at full load current.

### FB Resistor Network

The output voltage is programmed with a resistor divider between the output and the FB pin. Choose the resistor values according to:

$$R2 = R1 \left( \frac{V_{\text{OUT}}}{0.778\text{V}} - 1 \right)$$

## APPLICATIONS INFORMATION

1% resistors are recommended to maintain output voltage accuracy.

The total resistance of the FB resistor divider should be selected to be as large as possible when good low load efficiency is desired: The resistor divider generates a small load on the output, which should be minimized to optimize the quiescent current at low loads.

### Setting the Switching Frequency

The LT8604/LT8604C uses a constant frequency PWM architecture that can be programmed to switch from 200kHz to 2.2MHz by using a resistor tied from the RT pin to ground. Table 1 shows the necessary  $R_T$  value for a desired switching frequency.

**Table 1. SW Frequency vs RT Value**

$f_{SW}$ (MHz)	$R_T$ (k $\Omega$ )
0.2	221
0.3	143
0.4	110
0.5	86.6
0.6	71.5
0.7	60.4
0.8	52.3
0.9	46.4
1.0	40.2
1.2	33.2
1.4	27.4
1.6	23.7
1.8	20.5
2.0	18.2
2.2	16.2

### Operating Frequency Selection and Trade-Offs

Selection of the operating frequency is a trade-off between efficiency, component size, and input voltage range. The advantage of high frequency operation is that smaller inductor and capacitor values may be used. The disadvantages are lower efficiency and a smaller input voltage range.

The highest switching frequency ( $f_{SW(MAX)}$ ) for a given application can be calculated as follows:

$$f_{SW(MAX)} = \frac{V_{OUT} + V_{SW(BOT)}}{t_{ON(MIN)} (V_{IN} - V_{SW(TOP)} + V_{SW(BOT)})}$$

where  $V_{IN}$  is the typical input voltage,  $V_{OUT}$  is the output voltage,  $V_{SW(TOP)}$  and  $V_{SW(BOT)}$  are the internal switch drops (~0.38V, ~0.14V, respectively at max load) and  $t_{ON(MIN)}$  is the minimum top switch on-time (see Electrical Characteristics). This equation shows that slower switching frequency is necessary to accommodate a high  $V_{IN}/V_{OUT}$  ratio.

For transient operation  $V_{IN}$  may go as high as the Abs Max rating regardless of the  $R_T$  value, however the LT8604/LT8604C will reduce switching frequency as necessary to maintain control of inductor current to assure safe operation.

The LT8604/LT8604C is capable of maximum duty cycle approaching 100%, and the  $V_{IN}$  to  $V_{OUT}$  dropout is limited by the  $R_{DS(ON)}$  of the top switch. In this mode the LT8604/LT8604C skips switch cycles, resulting in a lower switching frequency than programmed by  $R_T$ .

For applications that cannot allow deviation from the programmed switching frequency at low  $V_{IN}/V_{OUT}$  ratios, use the following formula to set switching frequency:

$$V_{IN(MIN)} = \frac{V_{OUT} + V_{SW(BOT)}}{1 - f_{SW} \cdot t_{OFF(MIN)}} - V_{SW(BOT)} + V_{SW(TOP)}$$

where  $V_{IN(MIN)}$  is the minimum input voltage without skipped cycles,  $V_{OUT}$  is the output voltage,  $V_{SW(TOP)}$  and  $V_{SW(BOT)}$  are the internal switch drops (~0.38V, ~0.14V, respectively at max load),  $f_{SW}$  is the switching frequency (set by  $R_T$ ), and  $t_{OFF(MIN)}$  is the minimum switch off-time. Note that higher switching frequency will increase the minimum input voltage below which cycles will be dropped to achieve higher duty cycle.

### Inductor Selection and Maximum Output Current

The LT8604/LT8604C is designed to minimize solution size by allowing the inductor to be chosen based on the output load requirements of the application. During overload or short circuit conditions the LT8604/LT8604C safely tolerates operation with a saturated inductor through the use of a high speed peak-current mode architecture.

## APPLICATIONS INFORMATION

A good first choice for the inductor value is:

$$L = \frac{V_{OUT} + V_{SW(BOT)}}{f_{SW}} \cdot 20$$

where  $f_{SW}$  is the switching frequency in MHz,  $V_{OUT}$  is the output voltage,  $V_{SW(BOT)}$  is the bottom switch drop (~0.14V) and  $L$  is the inductor value in  $\mu$ H.

To avoid overheating and poor efficiency, an inductor must be chosen with an RMS current rating that is greater than the maximum expected output load of the application. In addition, the saturation current (typically labeled  $I_{SAT}$ ) rating of the inductor must be higher than the load current plus 1/2 of the inductor ripple current:

$$I_{L(PEAK)} = I_{LOAD(MAX)} + \frac{1}{2} \Delta I_L$$

where  $\Delta I_L$  is the inductor ripple current as calculated several paragraphs below and  $I_{LOAD(MAX)}$  is the maximum output load for a given application.

As a quick example, an application requiring 120mA output should use an inductor with an RMS rating of greater than 120mA and an  $I_{SAT}$  of greater than 180mA. To keep the efficiency high, the series resistance (DCR) should be less than  $1\Omega$ , and the core material should be intended for high frequency applications.

The LT8604/LT8604C limits the peak switch current in order to protect the switches and the system from overload faults. The top switch current limit ( $I_{LIM}$ ) is at least 185mA at low duty cycles and decreases linearly to 137mA at  $D = 0.8$ . The inductor value must then be sufficient to supply the desired maximum output current ( $I_{OUT(MAX)}$ ), which is a function of the switch current limit ( $I_{LIM}$ ) and the ripple current:

$$I_{OUT(MAX)} = I_{LIM} - \frac{\Delta I_L}{2}$$

The peak-to-peak ripple current in the inductor can be calculated as follows:

$$\Delta I_L = \frac{V_{OUT}}{L \cdot f_{SW}} \left( 1 - \frac{V_{OUT}}{V_{IN(MAX)}} \right)$$

where  $f_{SW}$  is the switching frequency of the LT8604/LT8604C, and  $L$  is the value of the inductor. Therefore, the maximum output current that the LT8604/LT8604C will deliver depends on the switch current limit, the inductor value, and the input and output voltages. The inductor value may have to be increased if the inductor ripple current does not allow sufficient maximum output current ( $I_{OUT(MAX)}$ ) given the switching frequency, and maximum input voltage used in the desired application.

For more information about maximum output current and discontinuous operation, see Analog Devices Application Note 44.

Finally, for duty cycles greater than 50%, a minimum inductance is required to avoid sub-harmonic oscillation:

$$L_{MIN} = \frac{V_{OUT} + V_{SW(BOT)}}{f_{SW}} \cdot 12.5$$

where  $f_{SW}$  is the switching frequency,  $V_{OUT}$  is the output voltage,  $V_{SW(BOT)}$  is the bottom switch drop (~0.14V) and  $L_{MIN}$  is the inductor value.

### Input Capacitor

Bypass the input of the LT8604/LT8604C circuit with a ceramic capacitor of X7R or X5R type. Y5V types have poor performance over temperature and applied voltage, and should not be used. A  $1\mu$ F to  $2.2\mu$ F ceramic capacitor is adequate to bypass the LT8604/LT8604C and will easily handle the ripple current. If the input power source has high impedance, or there is significant inductance due to long wires or cables, additional bulk capacitance may be necessary. This can be provided with a low performance electrolytic capacitor.

Step-down regulators draw current from the input supply in pulses with very fast rise and fall times. The input capacitor is required to reduce the resulting voltage ripple at the LT8604/LT8604C and to force this very high frequency switching current into a tight local loop, minimizing EMI. A  $1\mu$ F capacitor is capable of this task, but only if it is placed close to the LT8604/LT8604C (see the PCB Layout section). A second precaution regarding the ceramic input capacitor concerns the maximum input voltage rating of the LT8604/LT8604C. A ceramic



## APPLICATIONS INFORMATION

input capacitor combined with trace or cable inductance forms a high quality (under damped) tank circuit. If the LT8604/LT8604C circuit is plugged into a live supply, the input voltage can ring to twice its nominal value, possibly exceeding the LT8604/LT8604C's voltage rating. This situation is easily avoided (see Analog Devices Application Note 88).

### Output Capacitor and Output Ripple

The output capacitor has two essential functions. Along with the inductor, it filters the square wave generated by the LT8604/LT8604C to produce the DC output. In this role it determines the output ripple, thus low impedance at the switching frequency is important. The second function is to store energy in order to satisfy transient loads and stabilize the LT8604/LT8604C's control loop. Ceramic capacitors have very low equivalent series resistance (ESR) and provide the best ripple performance. A good starting value is:

$$C_{OUT} = \frac{50}{V_{OUT} f_{SW}}$$

where  $f_{SW}$  is the switching frequency in MHz,  $V_{OUT}$  is the output voltage, and  $C_{OUT}$  is the recommended output capacitance in  $\mu\text{F}$ . Use X5R or X7R types. This choice will provide low output ripple and good transient response. Transient performance can be improved with a higher value output capacitor and the addition of a feedforward capacitor placed between  $V_{OUT}$  and FB. Increasing the output capacitance will also decrease the output voltage ripple. Due to its larger Burst Mode current limit, the LT8604C requires a larger  $C_{OUT}$  for low output voltage ripple. A lower value of output capacitor can be used to save space and cost but transient performance will suffer and may cause loop instability. See the Typical Applications in this data sheet for suggested capacitor values.

When choosing a capacitor, special attention should be given to the data sheet to calculate the effective capacitance under the relevant operating conditions of voltage bias and temperature. A physically larger capacitor or one with a higher voltage rating may be required.

### Ceramic Capacitors

Ceramic capacitors are small, robust and have very low ESR. However, ceramic capacitors can cause problems when used with the LT8604/LT8604C due to their piezoelectric nature. When in Burst Mode operation, the LT8604/LT8604C's switching frequency depends on the load current, and at very light loads the LT8604/LT8604C can excite the ceramic capacitor at audio frequencies, generating audible noise. Since the LT8604/LT8604C operates at a lower current limit during Burst Mode operation, the noise is typically very quiet. If this is unacceptable, use a high performance tantalum or electrolytic capacitor at the output.

A final precaution regarding ceramic capacitors concerns the maximum input voltage rating of the LT8604/LT8604C. As previously mentioned, a ceramic input capacitor combined with trace or cable inductance forms a high quality (under damped) tank circuit. If the LT8604/LT8604C circuit is plugged into a live supply, the input voltage can ring to twice its nominal value, possibly exceeding the LT8604/LT8604C's rating. This situation is easily avoided (see Analog Devices Application Note 88).

### EN/UV Pin and Programmable Hysteresis of LT8604C

The LT8604/LT8604C is in shutdown when the EN/UV pin is low and active when the pin is high. The rising threshold of the EN/UV comparator is 1.04V, with 40mV of hysteresis. The EN/UV pin can be tied to  $V_{IN}$  if the shutdown feature is not used, or tied to a logic level if shutdown control is required.

Adding a resistor divider from  $V_{IN}$  to EN/UV programs the LT8604/LT8604C to regulate the output only when  $V_{IN}$  is above a desired voltage (see Block Diagram). Typically, this threshold,  $V_{IN(EN/UV)}$ , is used in situations where the input supply is current limited, or has a relatively high source resistance. A switching regulator draws constant power from the source, so source current increases as source voltage drops. This looks like a negative resistance load to the source and can cause the source to current limit or latch low under low source voltage conditions. The  $V_{IN(EN/UV)}$  threshold prevents the regulator from operating at source voltages where the problems might occur. This

## APPLICATIONS INFORMATION

threshold can be adjusted by setting the values R3 and R4 such that they satisfy the following equation:

$$R3 = \left( \frac{V_{IN(EN/UV)}}{1.04V} - 1 \right) \cdot R4$$

where the LT8604/LT8604C will remain off until  $V_{IN}$  is above  $V_{IN(EN/UV)}$ . Due to the comparator's hysteresis, switching will not stop until the input falls slightly below  $V_{IN(EN/UV)}$ .

Additional hysteresis may be added with the use of the HYST pin (LT8604C only). The HYST pin is an open-drain output that is pulled to ground whenever the EN/UV pin voltage is below the threshold that keeps the part in shut-down. As shown in the Block Diagram, a simple resistive divider can be used to meet specific operating  $V_{IN}$  voltage requirements.

Specific values for these UVLO thresholds can be computed from the following equations:

$$V_{IN(EN/UV)\uparrow} = 1.04V \left( 1 + \frac{R3}{R4} \right)$$

$$V_{IN(EN/UV)\downarrow} = 1.00V \left( 1 + \frac{R3}{R4 + R5} \right)$$

where  $V_{IN(EN/UV)\uparrow}$  is the rising  $V_{IN}$  UVLO threshold and  $V_{IN(EN/UV)\downarrow}$  is the falling  $V_{IN}$  UVLO threshold. The hysteresis  $V_{IN(EN/UV)H} = V_{IN(EN/UV)\uparrow} - V_{IN(EN/UV)\downarrow}$  is set by R5:

$$R5 = \frac{R3}{1.04 \frac{R3}{R4} + 0.04 - \frac{V_{IN(EN/UV)H}}{1V}} - R4$$

The minimum value of these UVLO thresholds is limited to the internal minimum  $V_{IN}$  Voltage shown in the Electrical Characteristics table. Be aware that the HYST pin cannot be allowed to exceed its absolute maximum rating of 12V. To keep the voltage on the HYST pin from exceeding 12V, the following relation should be satisfied:

$$V_{IN(MAX)} \cdot \left( \frac{R5}{R3 + R4 + R5} \right) \leq 12V$$

When in Burst Mode operation for light-load currents, the current through the  $V_{IN(EN/UV)}$  resistor network can

easily be greater than the supply current consumed by the LT8604/LT8604C. Therefore, the  $V_{IN(EN/UV)}$  resistors should be large to minimize their effect on efficiency at low loads.

### INTV<sub>CC</sub> Regulator

An internal low dropout (LDO) regulator produces the 3.4V supply from  $V_{IN}$  that powers the drivers and the internal bias circuitry. INTV<sub>CC</sub> can supply enough current for the LT8604/LT8604C's circuitry. Good bypassing is necessary to supply the high transient currents required by the power MOSFET gate drivers. Therefore, the INTV<sub>CC</sub> pin of the LT8604 must be bypassed to ground with a ceramic capacitor of at least 1μF. The LT8604C does not have an INTV<sub>CC</sub> pin but provides an on-package capacitor as an internal bypass. To improve efficiency, the internal LDO can also draw current from the BIAS pin when the BIAS pin is at 3.2V or higher. Typically, the BIAS pin can be tied to the output of the LT8604/LT8604C or can be tied to an external supply of 3.3V or above. If BIAS is connected to a supply other than  $V_{OUT}$ , be sure to bypass with a local ceramic capacitor. If the BIAS pin is below 3.0V, the internal LDO will consume current from  $V_{IN}$ . Applications with high input voltage and high switching frequency where the internal LDO pulls current from  $V_{IN}$  will increase die temperature because of the higher power dissipation across the LDO. Do not connect an external load to the INTV<sub>CC</sub> pin.

### Output Voltage Tracking and Soft-Start

The LT8604/LT8604C allows the user to program its output voltage ramp rate by means of the TR/SS pin. An internal 2μA pulls up the TR/SS pin to INTV<sub>CC</sub>. Putting an external capacitor on TR/SS enables soft-starting the output to prevent current surge on the input supply. During the soft-start ramp the output voltage will proportionally track the TR/SS pin voltage. For output tracking applications, TR/SS can be externally driven by another voltage source. From 0V to 0.778V, the TR/SS voltage will override the internal 0.778V reference input to the error amplifier, thus regulating the FB pin voltage to that of TR/SS pin. When TR/SS is above 0.778V, tracking is disabled and the feedback voltage will regulate to the internal reference voltage.

## APPLICATIONS INFORMATION

An active pull-down circuit is connected to the TR/SS pin which will discharge the external soft-start capacitor in the case of fault conditions and restart the ramp when the faults are cleared. Fault conditions that clear the soft-start capacitor are the EN/UV pin transitioning low,  $V_{IN}$  voltage falling too low, or thermal shutdown.

### Output Power Good

When the LT8604/LT8604C's output voltage is within the  $\pm 7.5\%$  window of the regulation point, which is a  $V_{FB}$  voltage in the range of 0.720V to 0.836V (typical), the output voltage is considered good and the open-drain PG pin goes high impedance and is typically pulled high with an external resistor. Otherwise, the internal drain pull-down device will pull the PG pin low. To prevent glitching both the upper and lower thresholds include 0.5% of hysteresis.

The PG pin is also actively pulled low during several fault conditions: EN/UV pin is below 1V,  $INTV_{CC}$  has fallen too low, or thermal shutdown.

### Shorted and Reversed Input Protection

The LT8604/LT8604C will tolerate a shorted output. Several features are used for protection during output short-circuit and brownout conditions. The first is the switching frequency will be folded back while the output is lower than the set point to maintain inductor current control. Second, the bottom switch current is monitored such that if inductor current is beyond safe levels switching of the top switch will be delayed until such time as the inductor current falls to safe levels. This allows for tailoring the LT8604/LT8604C to individual applications and limiting thermal dissipation during short circuit conditions.

There is another situation to consider in systems where the output will be held high when the input to the LT8604/LT8604C is absent. This may occur in battery charging applications or in battery backup systems where a battery or some other supply is diode ORed with the LT8604/LT8604C's output. If the  $V_{IN}$  pin is allowed to float and the

EN/UV pin is held high (either by a logic signal or because it is tied to  $V_{IN}$ ), then the LT8604/LT8604C's internal circuitry will pull its quiescent current through its SW pin. This is acceptable if the system can tolerate several  $\mu A$  in this state. If the EN/UV pin is grounded the SW pin current will drop to near  $0.7\mu A$ . However, if the  $V_{IN}$  pin is grounded while the output is held high, regardless of EN/UV, parasitic body diodes inside the LT8604/LT8604C can pull current from the output through the SW pin and the  $V_{IN}$  pin. Figure 3 shows a connection of the  $V_{IN}$  and EN/UV pins that will allow the LT8604/LT8604C to run only when the input voltage is present and that protects against a shorted or reversed input.

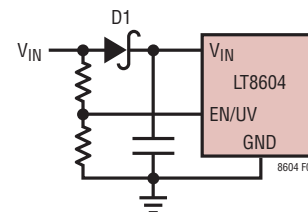


Figure 3. Reverse  $V_{IN}$  Protection

### PCB Layout

For proper operation and minimum EMI, care must be taken during printed circuit board layout. Figure 4 shows the recommended component placement with trace, ground plane and via locations. Note that large, switched currents flow in the LT8604/LT8604C's  $V_{IN}$  pins, GND pins, and the input capacitor ( $C_{IN}$ ). The loop formed by the input capacitor should be as small as possible by placing the capacitor adjacent to the  $V_{IN}$  and GND pins. When using a physically large input capacitor the resulting loop may become too large in which case using a small case/value capacitor placed close to the  $V_{IN}$  and GND pins plus a larger capacitor further away is preferred. These components, along with the inductor and output capacitor, should be placed on the same side of the circuit board, and their connections should be made on that layer. Place a local, unbroken ground plane under the application circuit on the layer closest to the surface layer. The SW and

## APPLICATIONS INFORMATION

BOOST nodes should be as small as possible. In addition, keep the FB and RT nodes small so that the ground traces will shield them from the SW and BOOST nodes. Finally, route the LT8604C's SYNC node below the ground plane in order to minimize capacitive coupling to the FB and TR/SS nodes. The exposed pad on the bottom of the package must be soldered to ground so that the pad is connected to ground electrically and also acts as a heat

sink thermally. To keep thermal resistance low, extend the ground plane as much as possible, and add thermal vias near the LT8604/LT8604C to additional ground planes within the circuit board and on the bottom side.

Figure 4a and Figure 4b show basic guidelines for layout examples that can pass the CISPR25 radiated emission test with class 5 limits.

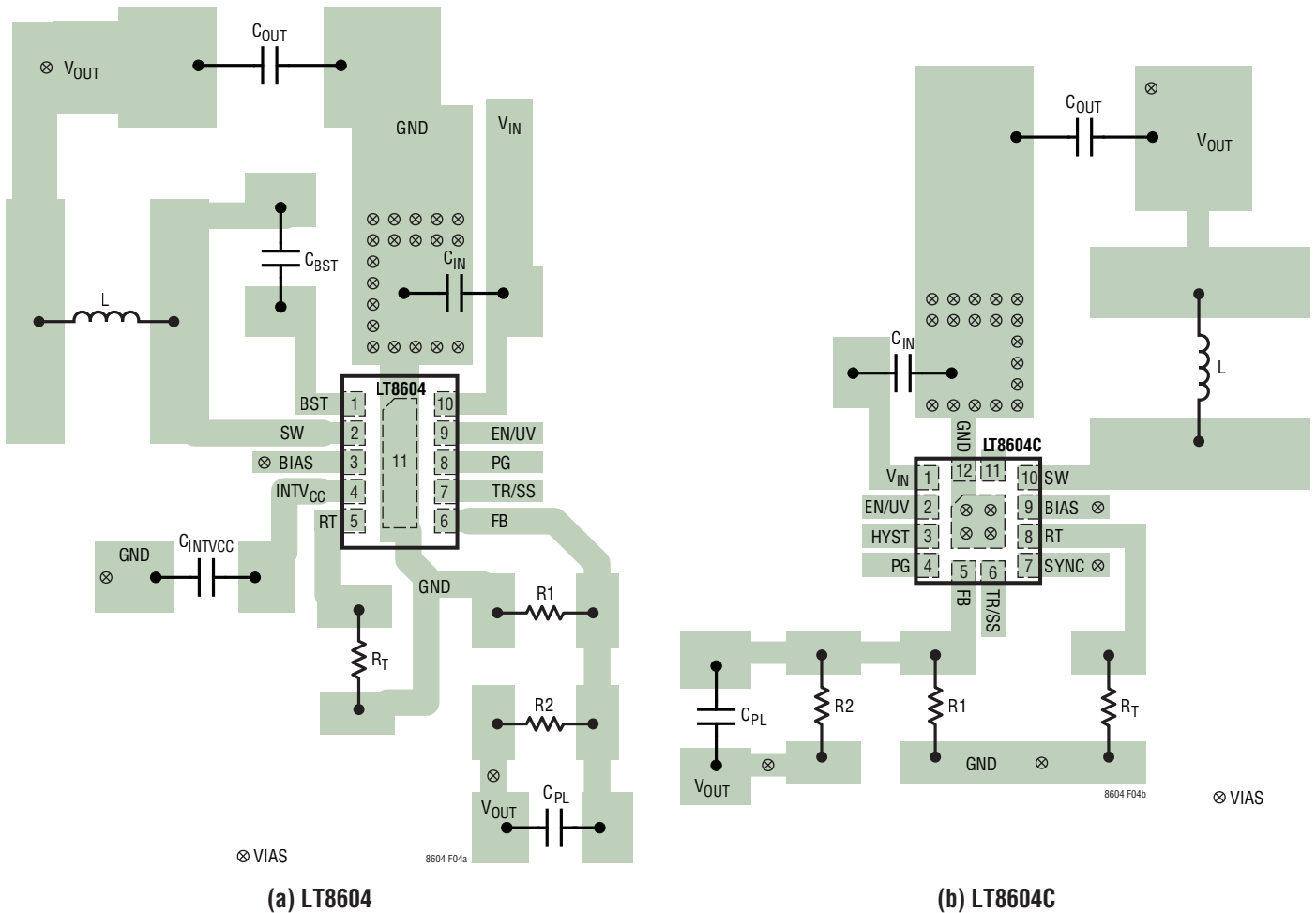
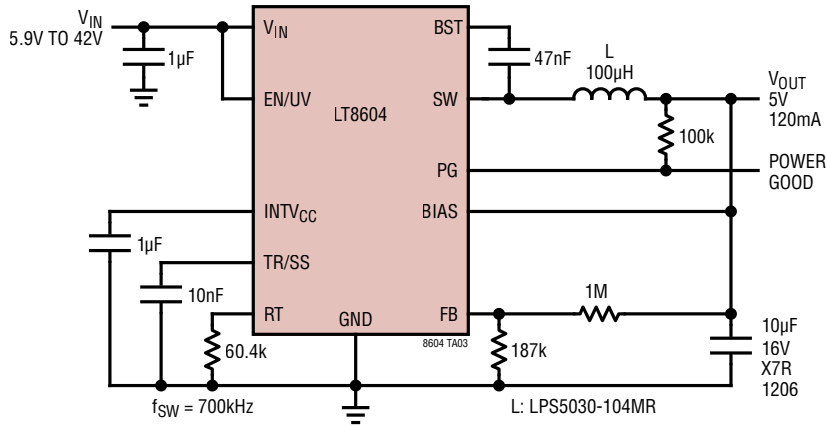


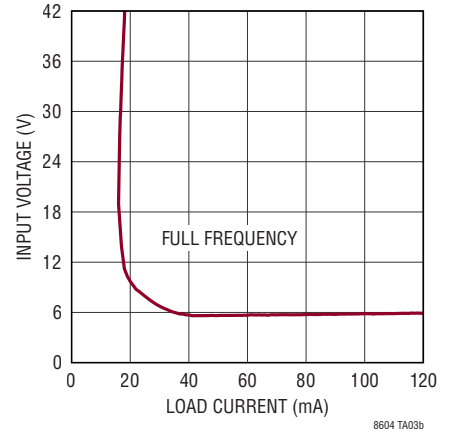
Figure 4. Recommended PCB Layout (Not to Scale)

TYPICAL APPLICATIONS

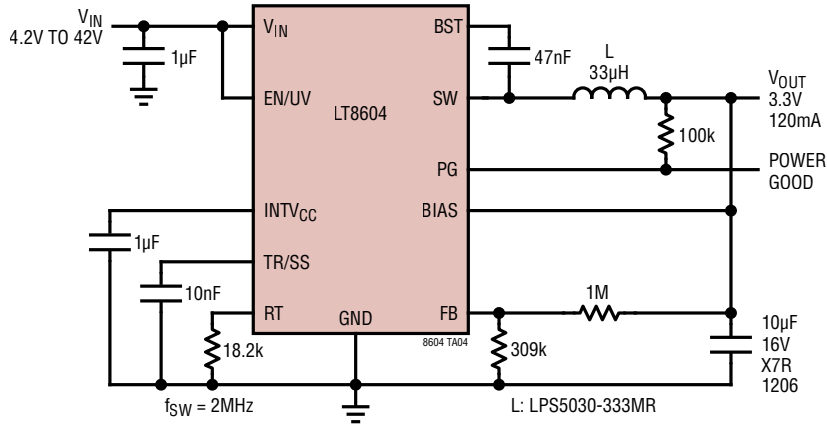
5V Step-Down Converter



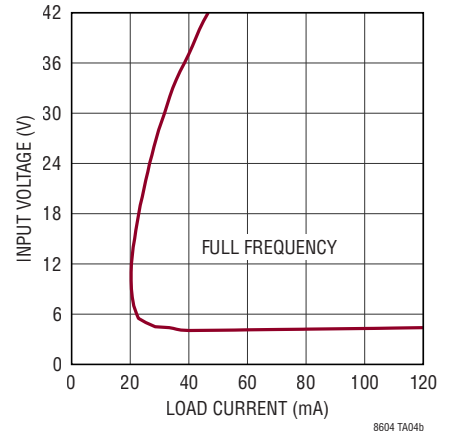
Typical Performance Minimum Load to Full Frequency



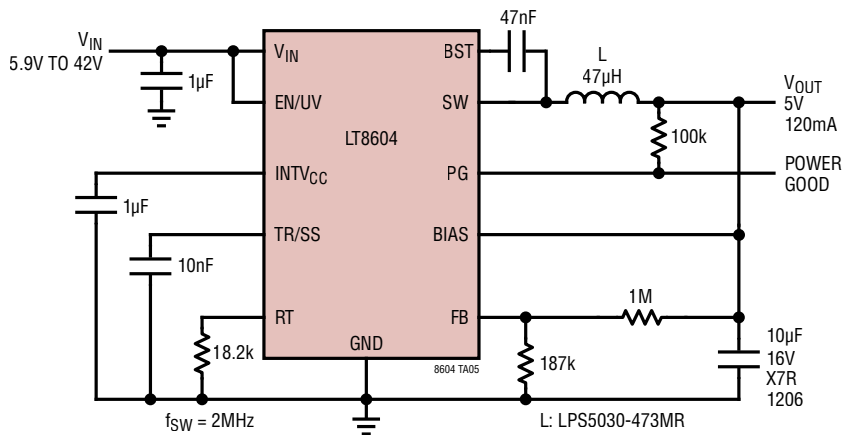
3.3V 2MHz Step-Down Converter



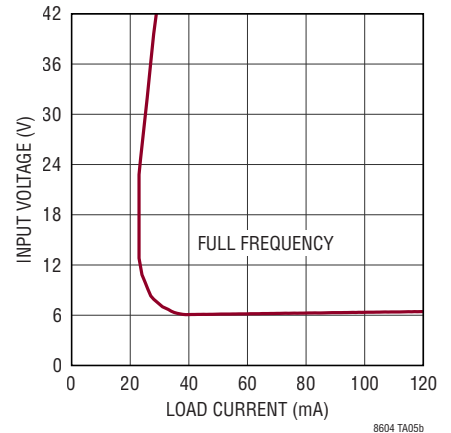
Typical Performance Minimum Load to Full Frequency



5V 2MHz Step-Down Converter

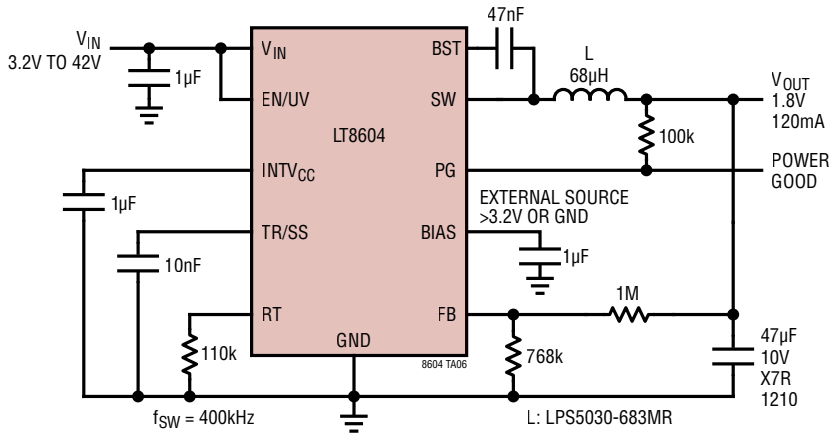


Typical Performance Minimum Load to Full Frequency

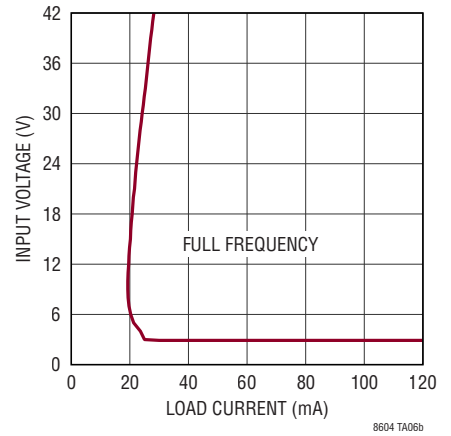


## TYPICAL APPLICATIONS

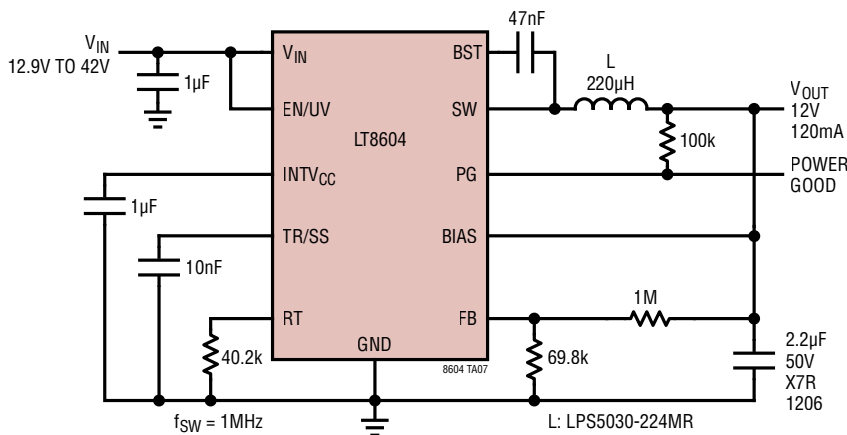
### 1.8V Step-Down Converter



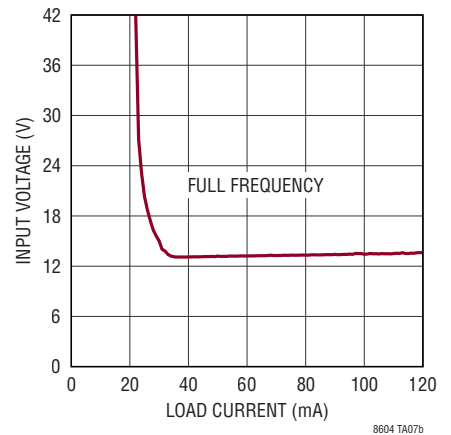
### Typical Performance Minimum Load to Full Frequency



### 12V Step-Down Converter

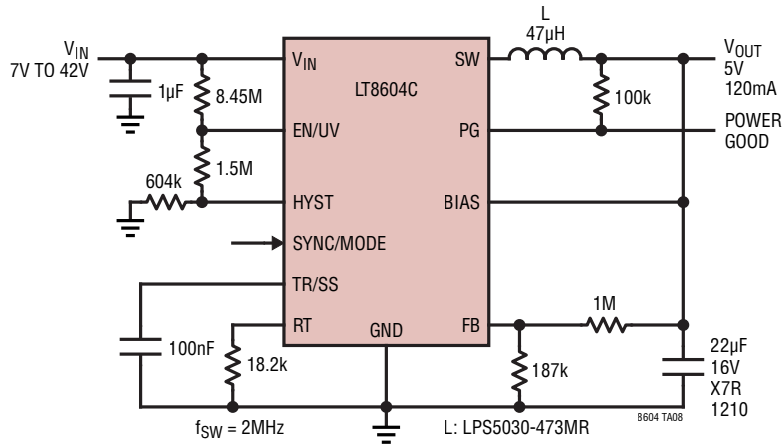


### Typical Performance Minimum Load to Full Frequency

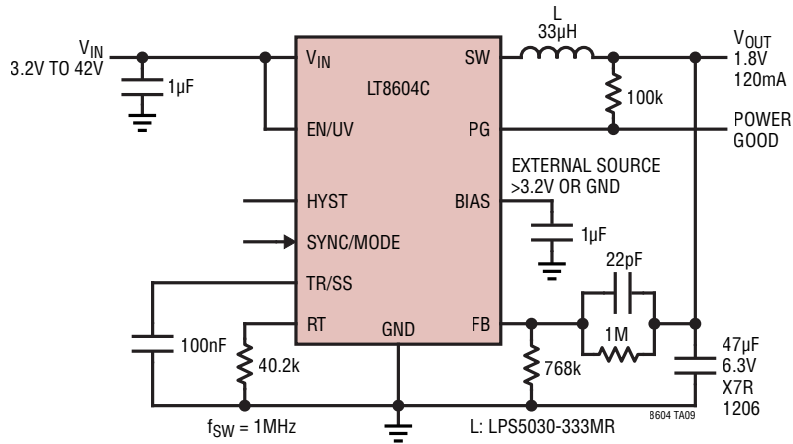


## TYPICAL APPLICATIONS

### 5V 2MHz Step-Down Converter (LT8604C) with Programmed Undervoltage Lockout and Hysteresis

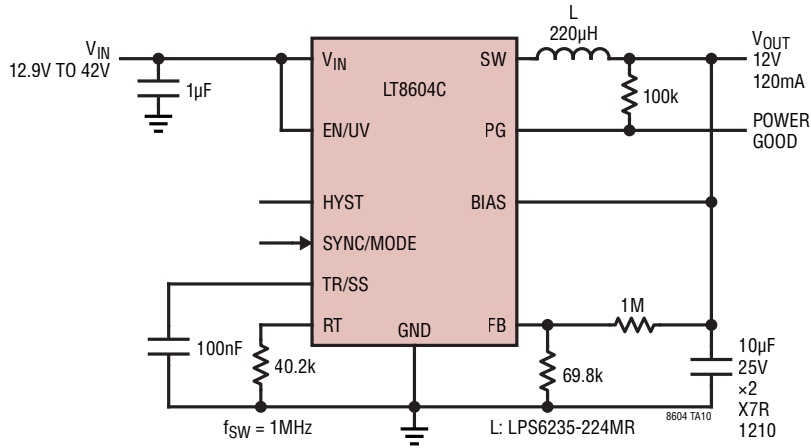


### 1.8V Step-Down Converter (LT8604C)

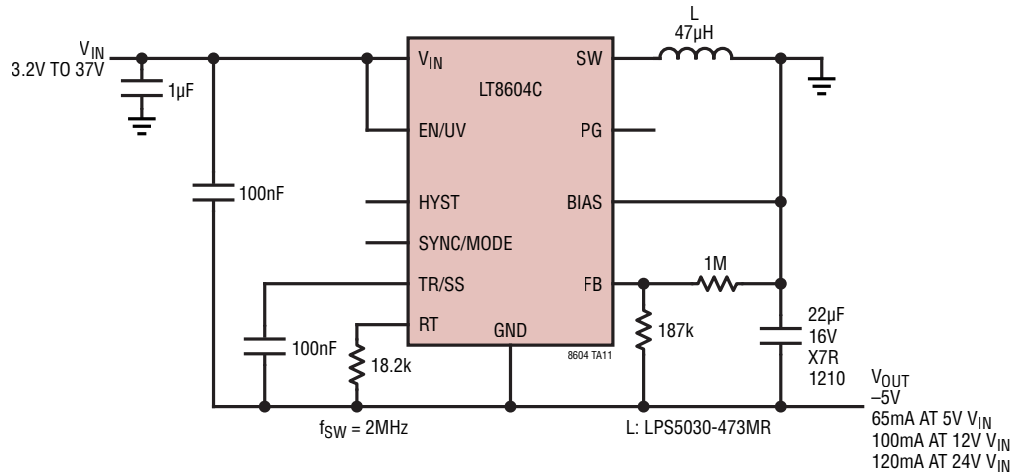


## TYPICAL APPLICATIONS

### 12V Step-Down Converter (LT8604C)



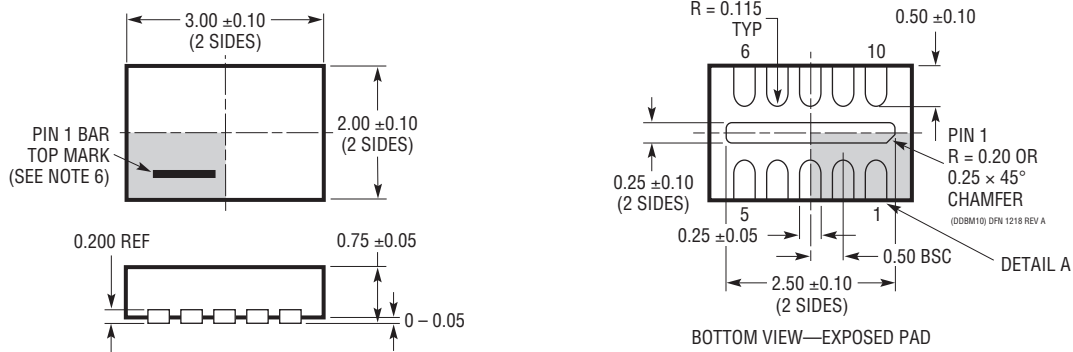
### -5V, 2MHz Inverting Step-Down Converter (LT8604C)



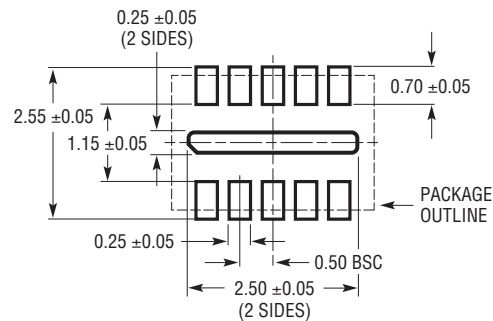
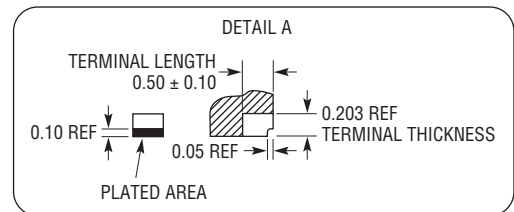


# PACKAGE DESCRIPTION

## DDBM Package 10-Lead Plastic SIDE WETTABLE DFN (3mm × 2mm) (Reference LTC DWG # 05-08-1655 Rev A)



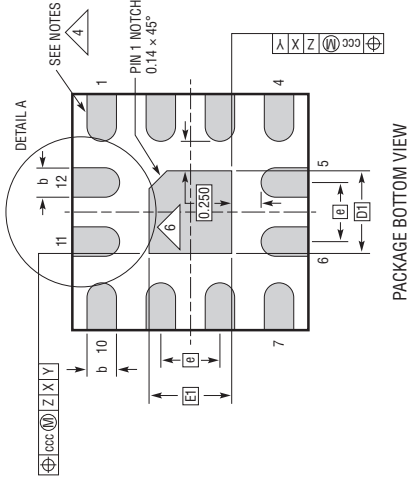
- NOTE:
1. DRAWING CONFORMS TO VERSION (WECD-1) IN JEDEC PACKAGE OUTLINE M0-229
  2. DRAWING NOT TO SCALE
  3. ALL DIMENSIONS ARE IN MILLIMETERS
  4. DIMENSIONS OF EXPOSED PAD ON BOTTOM OF PACKAGE DO NOT INCLUDE MOLD FLASH. MOLD FLASH, IF PRESENT, SHALL NOT EXCEED 0.15mm ON ANY SIDE
  5. EXPOSED PAD SHALL BE SOLDER PLATED
  6. SHADED AREA IS ONLY A REFERENCE FOR PIN 1 LOCATION ON THE TOP AND BOTTOM OF PACKAGE



RECOMMENDED SOLDER PAD PITCH AND DIMENSIONS

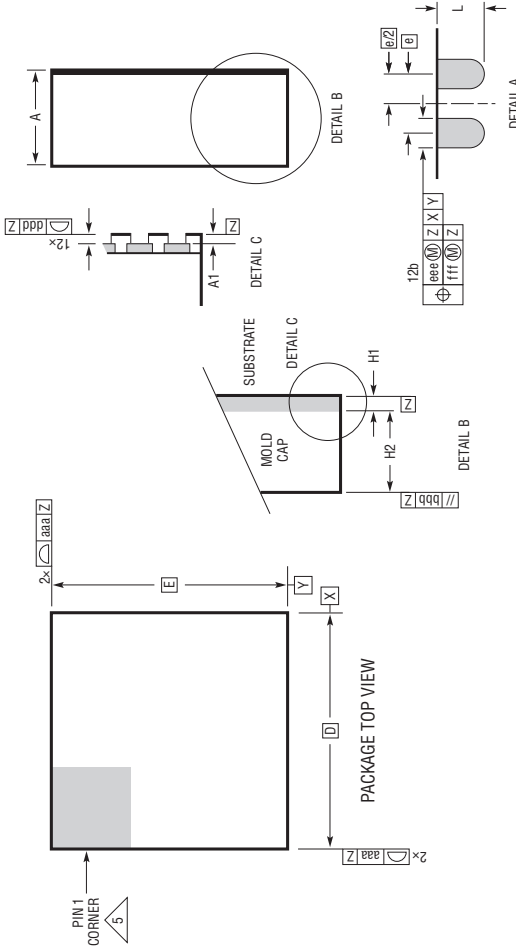
PACKAGE DESCRIPTION

**LQFN Package**  
**12-Lead (2mm × 2mm × 0.74mm)**  
 (Reference LTC DWG # 05-08-1530 Rev B)

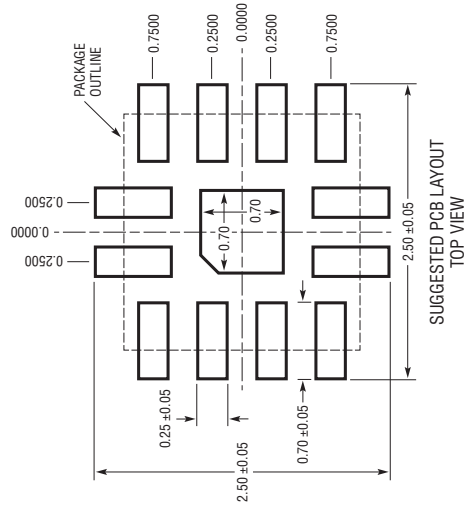


PACKAGE BOTTOM VIEW

- NOTES:
1. DIMENSIONING AND TOLERANCING PER ASME Y14.5M-1994
  2. ALL DIMENSIONS ARE IN MILLIMETERS
  3. PRIMARY DATUM -Z- IS SEATING PLANE
  4. METAL FEATURES UNDER THE SOLDER MASK OPENING NOT SHOWN SO AS NOT TO OBSCURE THESE TERMINALS AND HEAT FEATURES
  5. DETAILS OF PIN 1 IDENTIFIER ARE OPTIONAL, BUT MUST BE LOCATED WITHIN THE ZONE INDICATED. THE PIN 1 IDENTIFIER MAY BE EITHER A MOLD OR MARKED FEATURE
  6. THE EXPOSED HEAT FEATURE MAY HAVE OPTIONAL CORNER RADII



DIMENSIONS				
SYMBOL	MIN	NOM	MAX	NOTES
A	0.65	0.74	0.83	
A1	0.01	0.02	0.03	
L	0.30	0.40	0.50	
b	0.22	0.25	0.28	
D		2.00		
E		2.00		
D1		0.70		
E1		0.70		
e		0.50		
H1		0.24 REF		SUBSTRATE THK
H2		0.50 REF		MOLD CAP HT
aaa			0.10	
bbb			0.10	
ccc			0.10	
ddd			0.10	
eee			0.15	
fff			0.08	



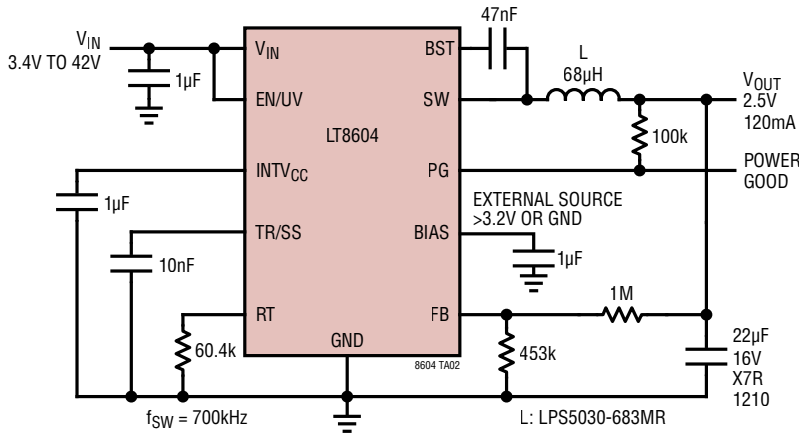
LQFN 12 0618 REV B

**REVISION HISTORY**

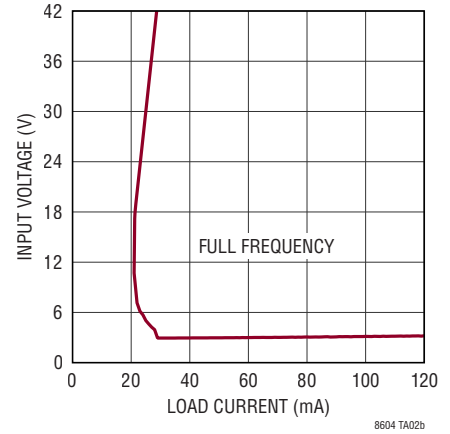
REV	DATE	DESCRIPTION	PAGE NUMBER
A	08/21	Update to Features and Description for DFN package.	1
		Addition of LQFN package option and grade option for DFN package.	2
		Addition of Electrical Characteristics for LQFN package.	3
		Addition of Performance Characteristics for LQFN package.	4-7
		Addition of Block Diagram for LQFN package.	9
		Addition of Operation for LQFN package.	10
		Addition of Applications Information for LQFN package.	11-16
		Addition of Typical Applications for LQFN package.	XX
		Addition of Related Parts for LQFN package.	20
B	11/22	Correction of Typos in Block Diagram of LT8604C	11

## TYPICAL APPLICATION

### 2.5V Step-Down Converter



### Typical Performance Minimum Load to Full Frequency



## RELATED PARTS

PART NUMBER	DESCRIPTION	COMMENTS
<a href="#">LT8618/LT8618C</a>	65V 100mA, 90% Efficiency, 2.2MHz Synchronous MicroPower Step-Down DC/DC Converter with $I_Q = 2.5\mu A$	$V_{IN} = 3.4V$ to 60V (65V abs max), $V_{OUT(MIN)} = 0.778V$ , $I_Q = 2.5\mu A$ , $I_{SD} < 1\mu A$ , 2mm × 3mm DFN-10, 2mm × 2mm LQFN-12 Packages
<a href="#">LT8609/LT8609A</a>	42V, 2A/3A Peak, 93% Efficiency, 2.2MHz Synchronous MicroPower Step-Down DC/DC Converter with $I_Q = 2.5\mu A$	$V_{IN} = 3.2V$ to 42V, $V_{OUT(MIN)} = 0.8V$ , $I_Q = 2.5\mu A$ , $I_{SD} < 1\mu A$ , MSOP-10E Package
<a href="#">LT8610A/LT8610AB</a>	42V, 3.5A, 96% Efficiency, 2.2MHz Synchronous MicroPower Step-Down DC/DC Converter with $I_Q = 2.5\mu A$	$V_{IN} = 3.4V$ to 42V, $V_{OUT(MIN)} = 0.97V$ , $I_Q = 2.5\mu A$ , $I_{SD} < 1\mu A$ , MSOP-16E Package
<a href="#">LT8610AC</a>	42V, 3.5A, 96% Efficiency, 2.2MHz Synchronous MicroPower Step-Down DC/DC Converter with $I_Q = 2.5\mu A$	$V_{IN} = 3V$ to 42V, $V_{OUT(MIN)} = 0.8V$ , $I_Q = 2.5\mu A$ , $I_{SD} < 1\mu A$ , MSOP-16E Package
<a href="#">LT8610</a>	42V, 2.5A, 96% Efficiency, 2.2MHz Synchronous MicroPower Step-Down DC/DC Converter with $I_Q = 2.5\mu A$	$V_{IN} = 3.4V$ to 42V, $V_{OUT(MIN)} = 0.97V$ , $I_Q = 2.5\mu A$ , $I_{SD} < 1\mu A$ , MSOP-16E Package
<a href="#">LT8611</a>	42V, 2.5A, 96% Efficiency, 2.2MHz Synchronous MicroPower Step-Down DC/DC Converter with $I_Q = 2.5\mu A$ and Input/Output Current Limit/Monitor	$V_{IN} = 3.4V$ to 42V, $V_{OUT(MIN)} = 0.97V$ , $I_Q = 2.5\mu A$ , $I_{SD} < 1\mu A$ , 3mm × 5mm QFN-24 Package
<a href="#">LT8616</a>	42V, Dual 2.5A + 1.5A, 95% Efficiency, 2.2MHz Synchronous MicroPower Step-Down DC/DC Converter with $I_Q = 5\mu A$	$V_{IN} = 3.4V$ to 42V, $V_{OUT(MIN)} = 0.8V$ , $I_Q = 5\mu A$ , $I_{SD} < 1\mu A$ , TSSOP-28E, 3mm × 6mm QFN-28 Packages
<a href="#">LT8620</a>	65V, 2.5A, 96% Efficiency, 2.2MHz Synchronous MicroPower Step-Down DC/DC Converter with $I_Q = 2.5\mu A$	$V_{IN} = 3.4V$ to 65V, $V_{OUT(MIN)} = 0.97V$ , $I_Q = 2.5\mu A$ , $I_{SD} < 1\mu A$ , MSOP-16E, 3mm × 5mm QFN-24 Packages
<a href="#">LT8614</a>	42V, 4A, 96% Efficiency, 2.2MHz Synchronous MicroPower Step-Down DC/DC Converter with $I_Q = 2.5\mu A$	$V_{IN} = 3.4V$ to 42V, $V_{OUT(MIN)} = 0.97V$ , $I_Q = 2.5\mu A$ , $I_{SD} < 1\mu A$ , 3mm × 4mm QFN-18 Package
<a href="#">LT8612</a>	42V, 6A, 96% Efficiency, 2.2MHz Synchronous MicroPower Step-Down DC/DC Converter with $I_Q = 2.5\mu A$	$V_{IN} = 3.4V$ to 42V, $V_{OUT(MIN)} = 0.97V$ , $I_Q = 3.0\mu A$ , $I_{SD} < 1\mu A$ , 3mm × 6mm QFN-28 Package
<a href="#">LT8640</a>	42V, 5A/7A Peak, 96% Efficiency, 3MHz Synchronous MicroPower Step-Down DC/DC Converter with $I_Q = 2.5\mu A$	$V_{IN} = 3.4V$ to 42V, $V_{OUT(MIN)} = 0.97V$ , $I_Q = 2.5\mu A$ , $I_{SD} < 1\mu A$ , 3mm × 4mm QFN-18 Package
<a href="#">LT8602</a>	42V, Quad Output (2.5A+1.5A+1.5A+1.5A) 95% Efficiency, 2.2MHz Synchronous MicroPower Step-Down DC/DC Converter with $I_Q = 25\mu A$	$V_{IN} = 3V$ to 42V, $V_{OUT(MIN)} = 0.8V$ , $I_Q = 25\mu A$ , $I_{SD} < 1\mu A$ , 6mm × 6mm QFN-40 Package